

SERVICE MANUAL



T955 C/AH

FIVE CHANNEL AMPLIFIER

T955 C/AH

FIVE CHANNEL AMPLIFIER

CONTENTS

FRONT PANEL/REAR PANEL VIEW	3
SPECIFICATIONS.....	4
ALIGNMENT PROCEDURE/ALIGNMENT POINTS.....	5
WIRING DIAGRAM.....	6
SCHEMATIC DIAGRAM.....	7-12
PCB LAYOUT.....	13-19
ELECTRICAL PARTS LIST.....	20-33
EXPLODED VIEW.....	34-36
EXPLODED VIEW PARTS LIST.....	37
PACKING DIAGRAM.....	38

SERVICE SAFETY PRECAUTIONS

1. Replacing the Fuses

CAUTION: FOR CONTINUED PROTECTION AGAINST THE RISK OF FIRE REPLACE ONLY WITH SAME TYPE OF FUSE.

REFERENCE NO.	PART NUMBER	DESCRIPTION
Rear Panel		
AH ▲	20-12153-10	MDA T15AL/250V
C ▲	20-12702-20	MDA T7AL/250V
POWER SUPPLY Board		
F201---F220 ▲	20-12632-00	T6.3AL/250V

NOTE:

*AH : North American version only

*C : European version only

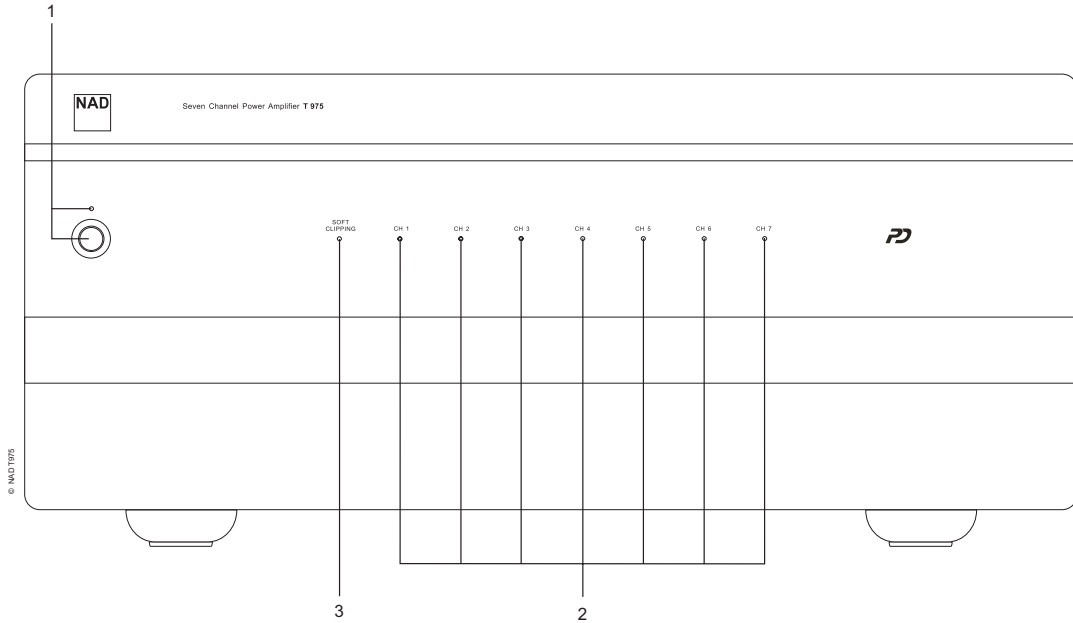
2. Safety-check out (North American model only)

Before returning the product to the customer, make leakage current or resistance measurements to determine that exposed parts are acceptably insulated from the supply circuit.

Parts marked with the symbol ▲ are critical with regard to the risk of fire and electric shock. Replace only parts recommended by the manufacturer.

FRONT PANEL / REAR PANEL VIEW

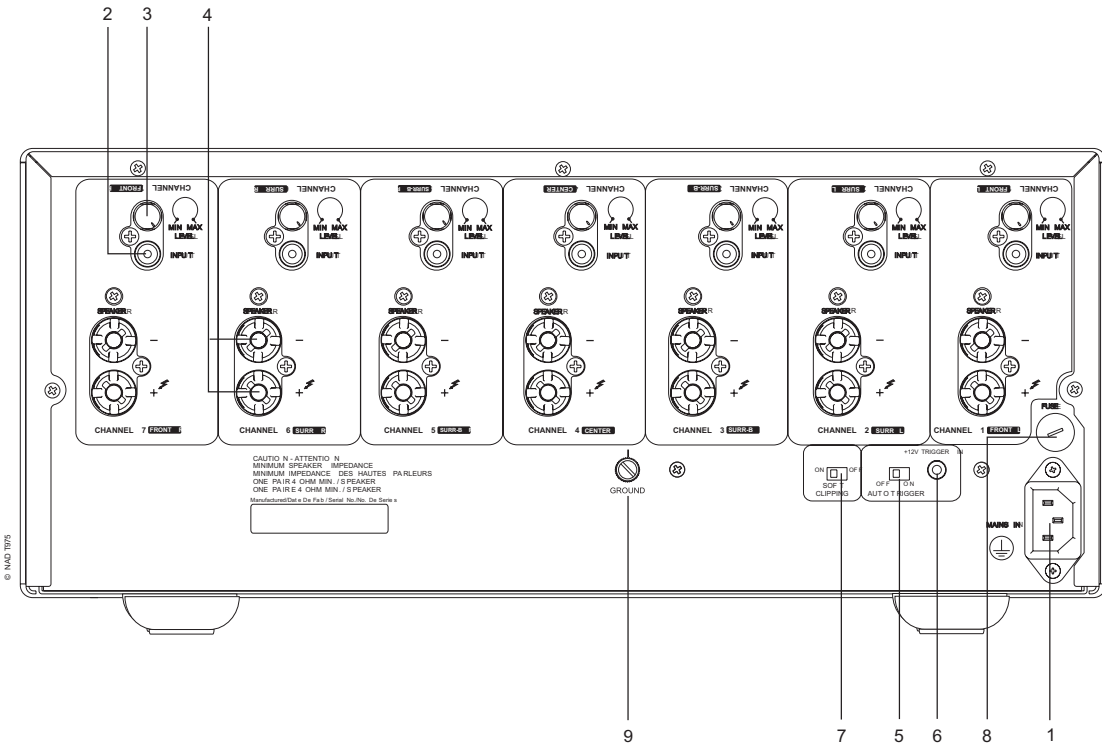
FRONT PANEL CONTROLS



- 1. POWER SWITCH
- 2. POWER INDICATOR

- 3. SOFT CLIPPING INDICATOR
- 4. PROTECTION INDICATOR

REAR PANEL CONTROLS



- 1. AC INLET
- 2. INPUT JACK
- 3. LEVEL CONTROL
- 4. SPEAKER TERMINALS
- 5. AUTO TRIGGER SWITCH

- 6. 12V TRIGGER INPUT
- 7. SOFT CLIPPING SWITCH
- 8. MAINS FUSE
- 9. GROUND TERMINAL

SPECIFICATIONS

CONTINUOUS AVERAGE POWER OUTPUT INTO 8 OHMS OR 4 OHMS (Min. power per channel, 20 Hz – 20 kHz, both channels driven, with no more than rated distortion)	≥100 W (20.0 dBW)
Rated Distortion (THD 20 Hz – 20 kHz)	≤0.03%
Clipping power (maximum continuous power per channel).	≥130 W
IHF dynamic power (Maximum short term power per channel)	
8 ohms:	≥150 W (22 dBW)
4 ohms:	≥250 W (24 dBW)
2 ohms:	≥330 W (25.2 dBW)
Damping factor (ref. 8 ohms 50Hz)	>250
Input Impedance	R = 20KΩ C = 380 pF
Input sensitivity (for rated output into 8 ohms)	1000mV+/-50mV
Voltage gain	29 dB
Frequency response 20 Hz – 20 kHz	±0.2 dB - 3dB at 3 Hz/70 kHz
Signal / Noise ratio, A-weighted	>102 dB ref. 1 W

Dimensions and Weights

Net Weight	21.8 kg (48.0 lb)
Shipping Weight	25 kg (55.1 lb)
Dimension (W×H×D)	435 × 155 × 387mm

ALIGNMENT PROCEDURE

A. DC OFFSET VOLTAGE

The DC OFFSET between OFFSET Test Point and AGND must be within 0 \pm 20mV.

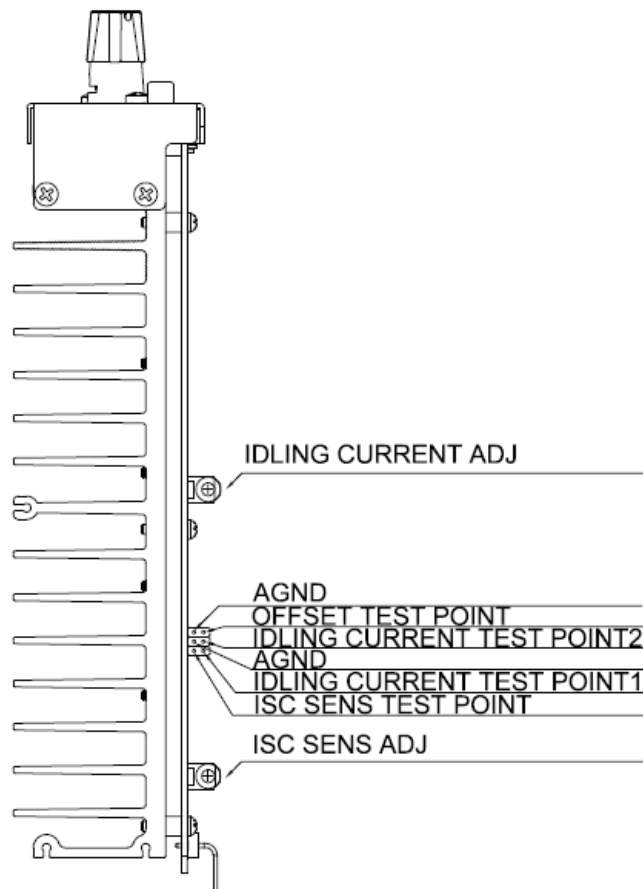
B. IDLING CURRENT

The idling current in the output stage of the poweramp should be set to 25mA \pm 5mA per pnp-npn transistor pair(This means the mid point voltage is 4mV with down limit of 3mV and up limit of 5mV). The alignment procedure is: At first, adjust RV103 (Marked as "Idling Current ADJ" in the drawing below) for a voltage of 4mV \pm 1mV between Test point 1 and 2. Then preheat the unit for 5 minutes, let idling current settled and then readjust to 4mV \pm 1mV.

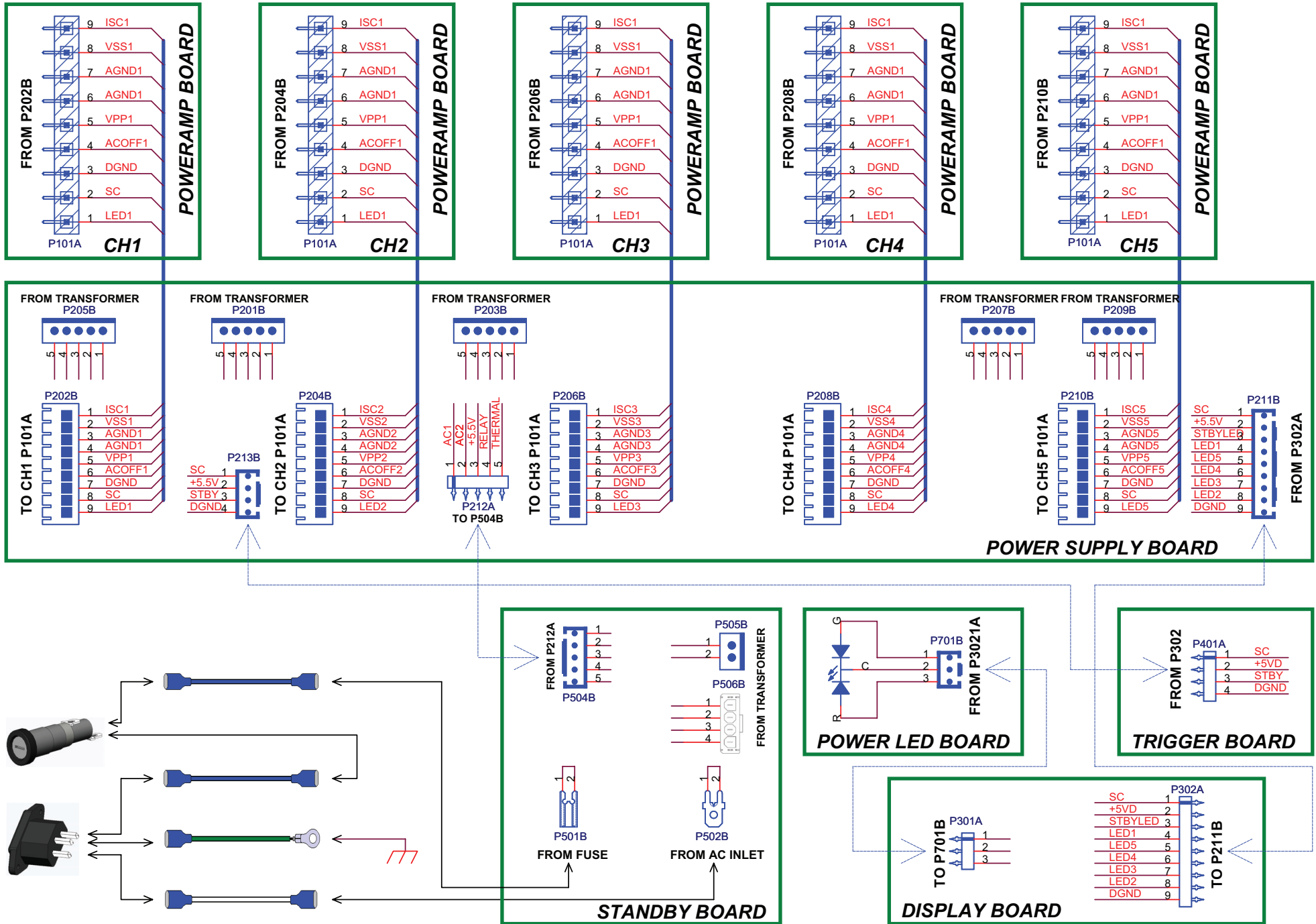
Pls note: Though the idling current is set as 4mV \pm 1mV during the adjustment, due to the influence of varied ambient temperature and mains voltage etc., the idling current will drift after some time. During the normal checking of idling current in the service field, it's acceptable as long as the voltage is in the range of 3mV—5mV.

C. ISC SENSITIVITY

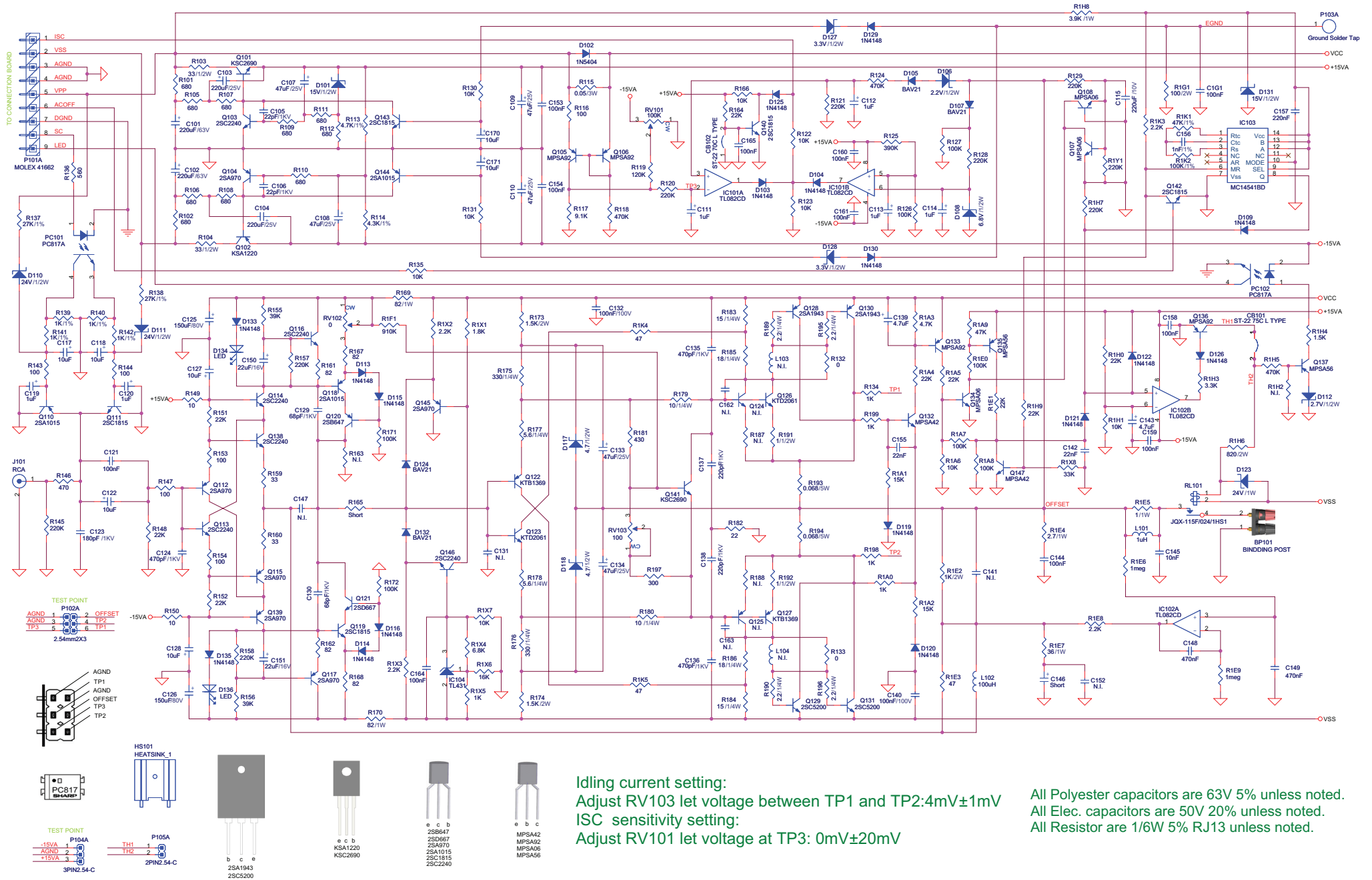
The ISC sensing voltage can allow 0mV \pm 50mV. But, for the alignment process in our factory, we tighten the limit to 0mV \pm 10mV. That is to adjust Pot RV104 (as marked as "ISC SENS ADJ" in the below drawing) to get a voltage between the "ISC SENSE TEST POINT" and AGND to be 0mV \pm 10mV.



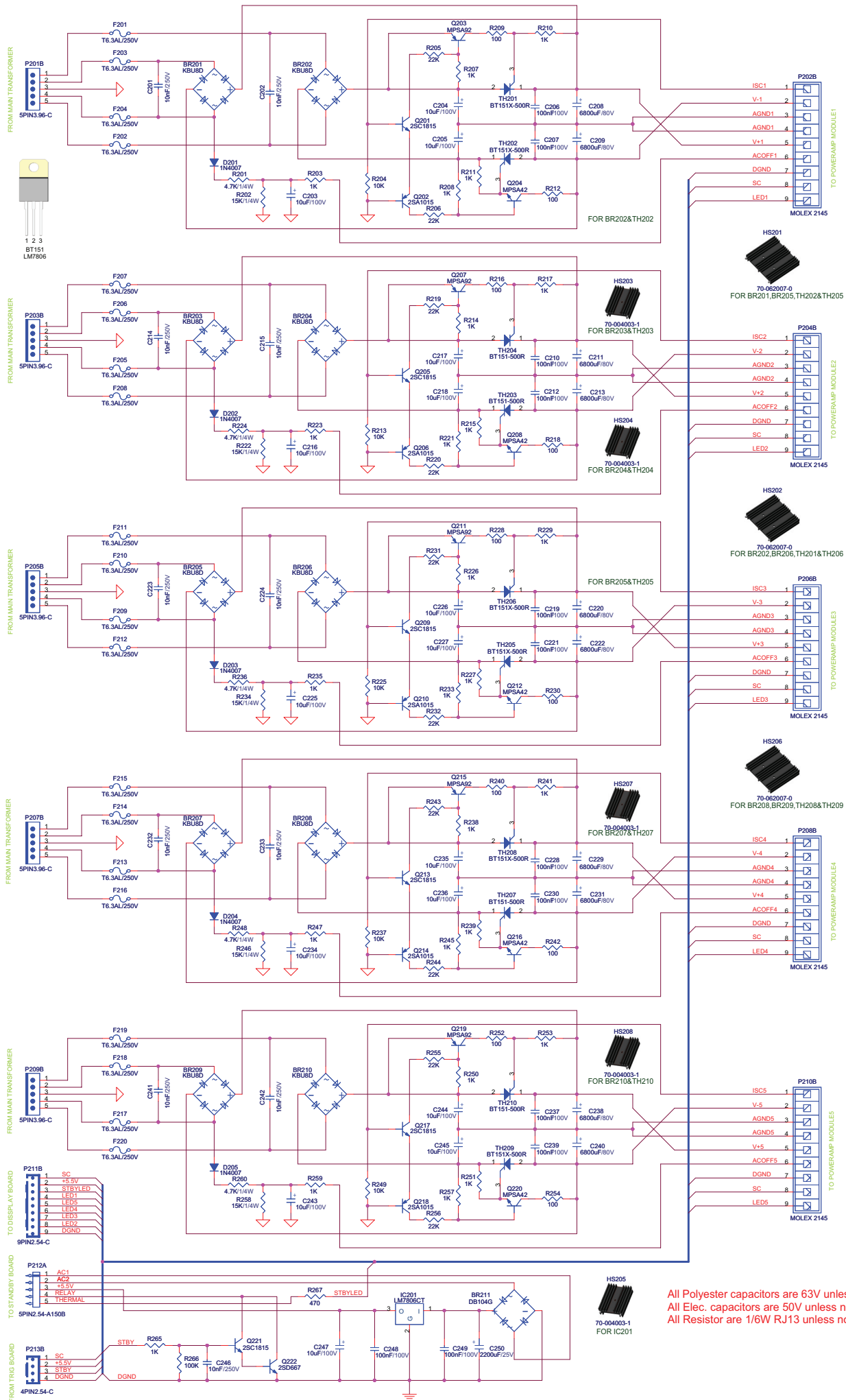
WIRING DIAGRAM



SCHEMATICS DIAGRAM

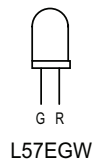
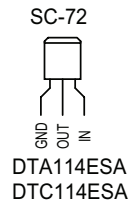
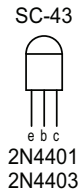
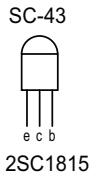
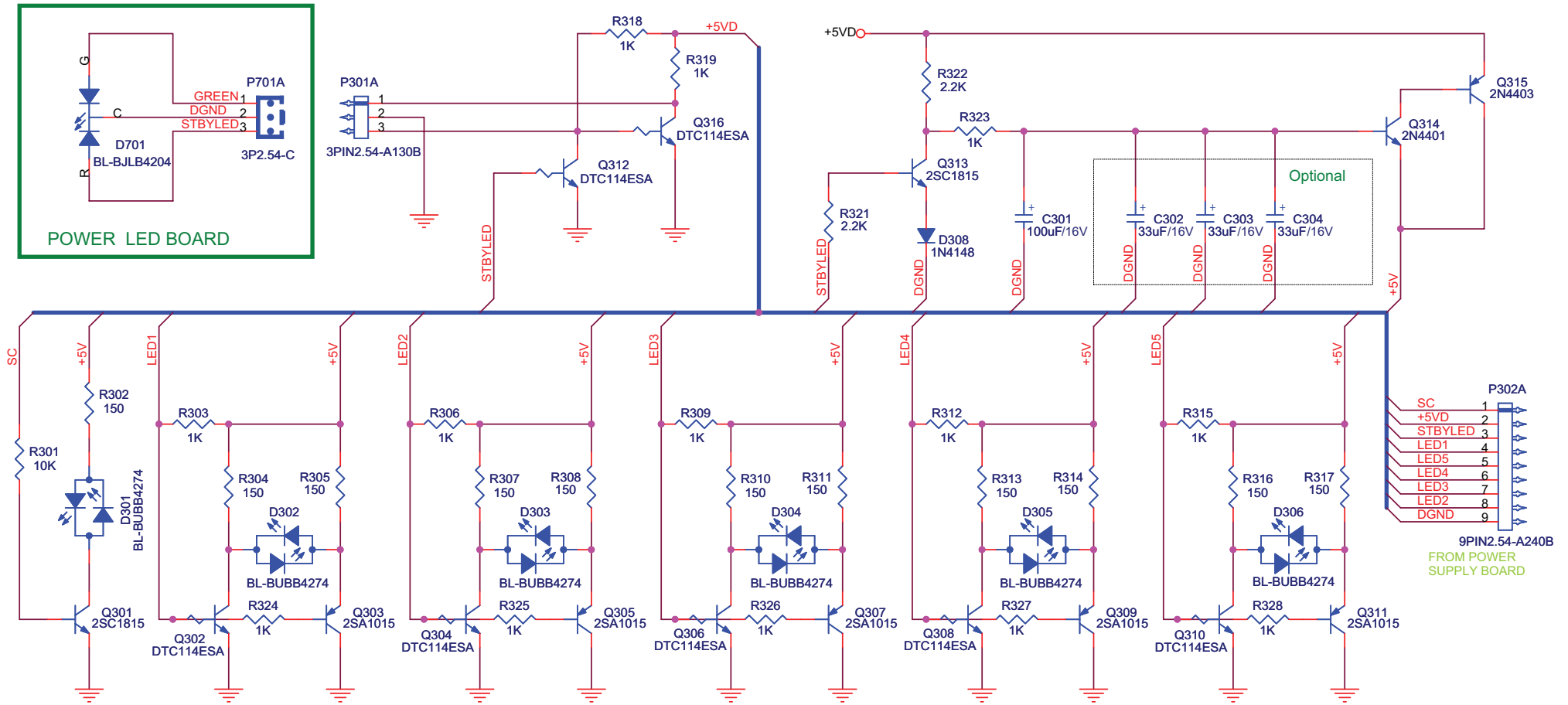


SCHEMATICS DIAGRAM



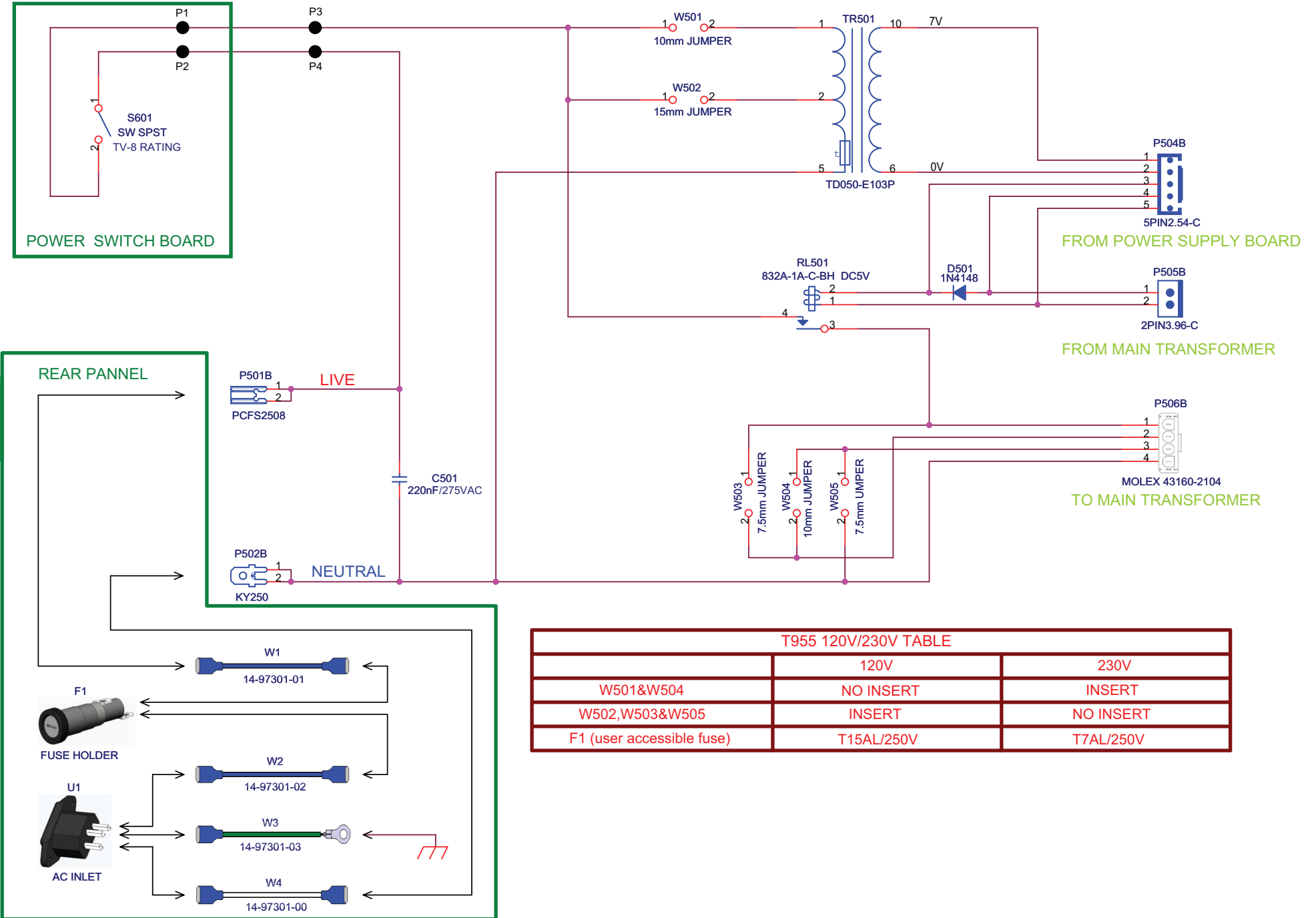
All Polyester capacitors are 63V unless noted.
 All Elec. capacitors are 50V unless noted.
 All Resistor are 1/6W RJ13 unless noted.

SCHEMATICS DIAGRAM



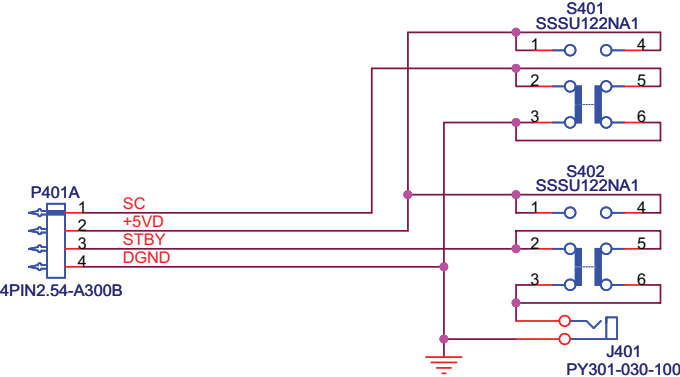
All Polyester capacitors are 63V unless noted.
All Elec. capacitors are 50V unless noted.
All Resistor are 1/6W RJ13 unless noted.

SCHEMATICS DIAGRAM

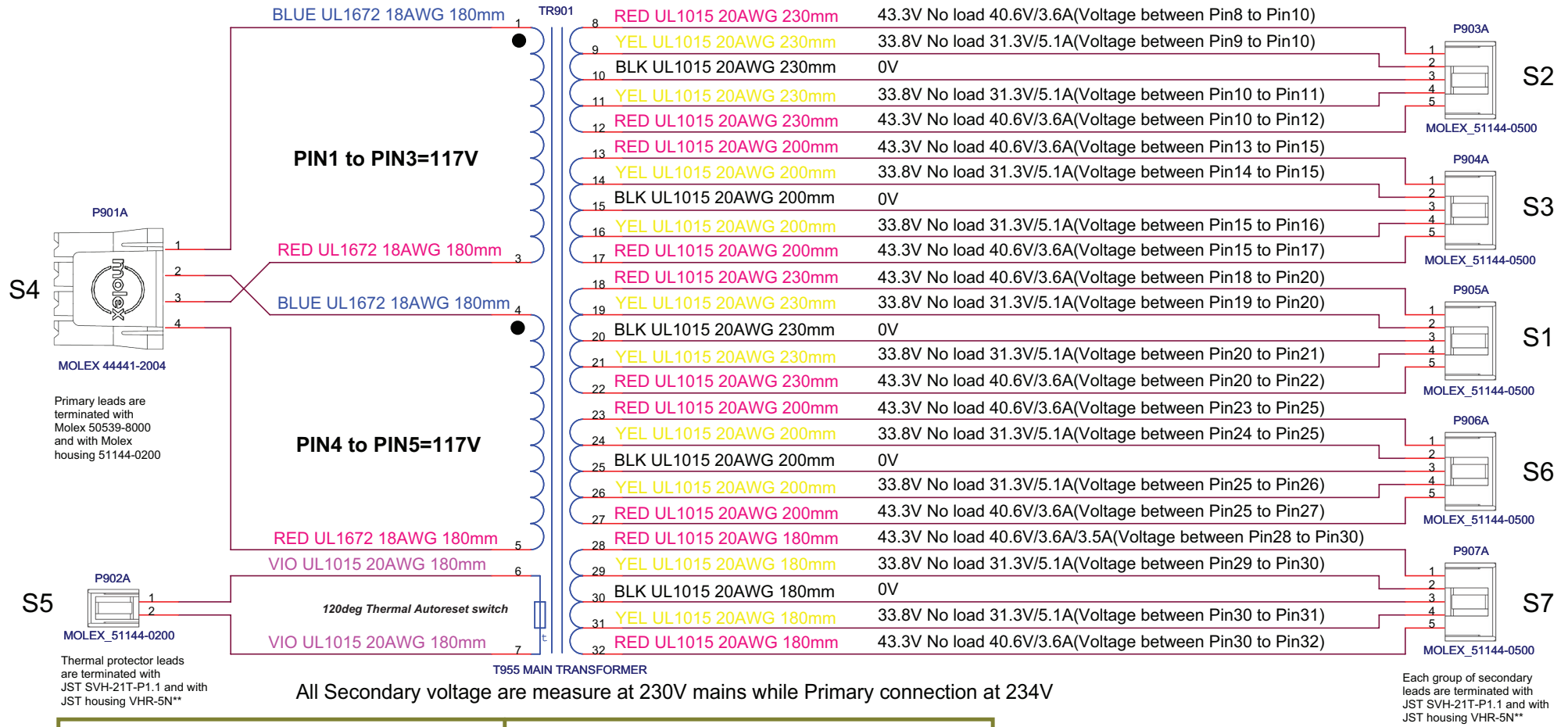


T955 120V/230V TABLE		
	120V	230V
W501&W504	NO INSERT	INSERT
W502,W503&W505	INSERT	NO INSERT
F1 (user accessible fuse)	T15AL/250V	T7AL/250V

SCHEMATICS DIAGRAM



SCHEMATICS DIAGRAM



Secondary Red and Yel Alternative loads
 Secondary current at maximum load
 At 1/8th power condition, secondary output is 42.5V/1.53A at the high-voltage windings and 32.8V/2A at the low-voltage windings.

Thermal protector mounted on secondary side but leads close to primary leads

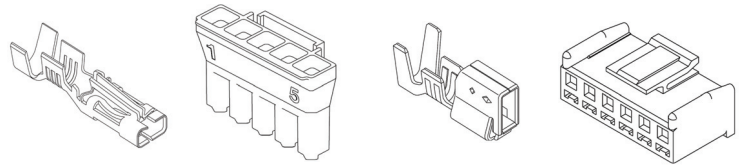
Diameter <130mm Center filled and 10mm hole
 Height <88mm
 Weight <5.6Kg

Comments:
 1)Primary resistance:2x1.2ohm
 2)Secondary resistance:2x(0.20+0.35+0.35+0.2)ohm
 3)Calculated temperature rise at 650VA continuous load:65 deg C
 4)CUL recognized to UL6500 and Can/CSA E60065-00

Label: { Toroid Audio Ltd }

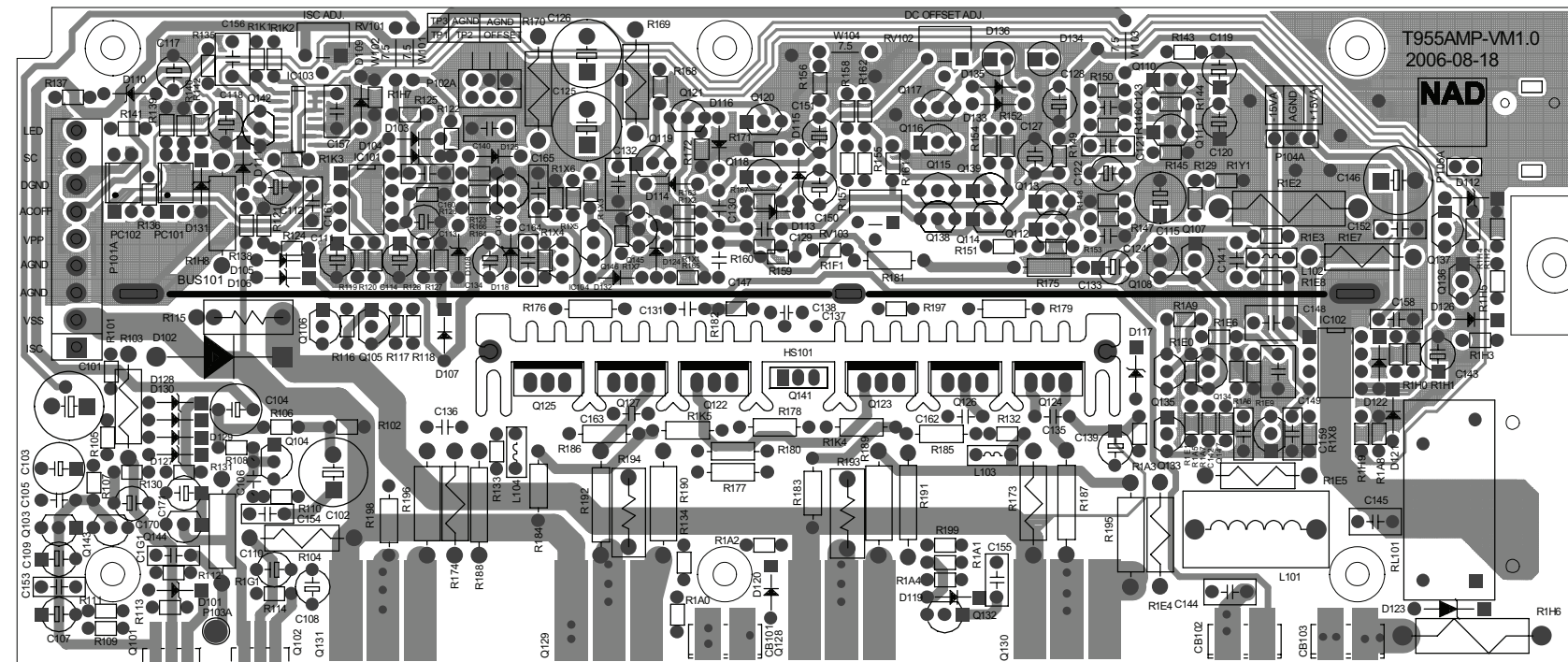
P/N: TI-053035 AU Iss 2
 NAD: T955

LcULus logo + E115159 CE Logo }

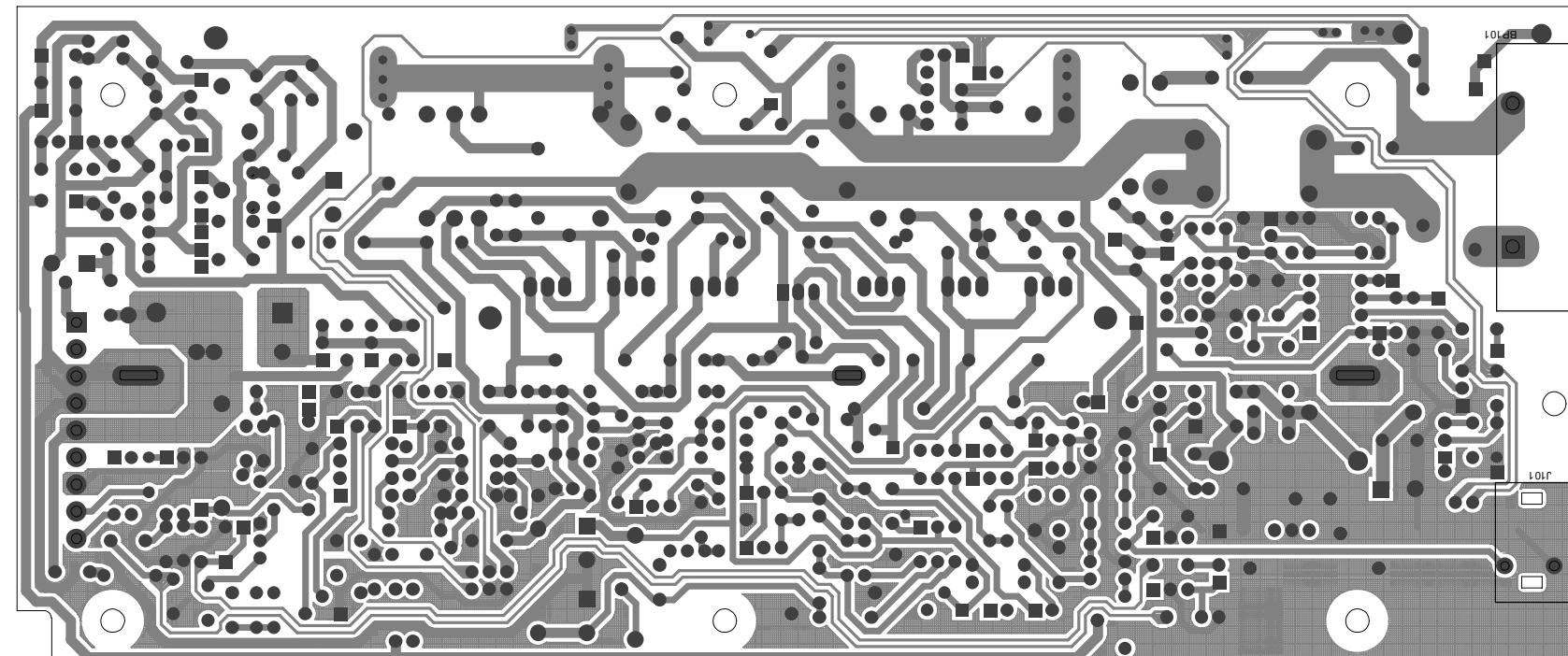


PCB LAYOUT

AMP BOARD - COMPONENT SIDE

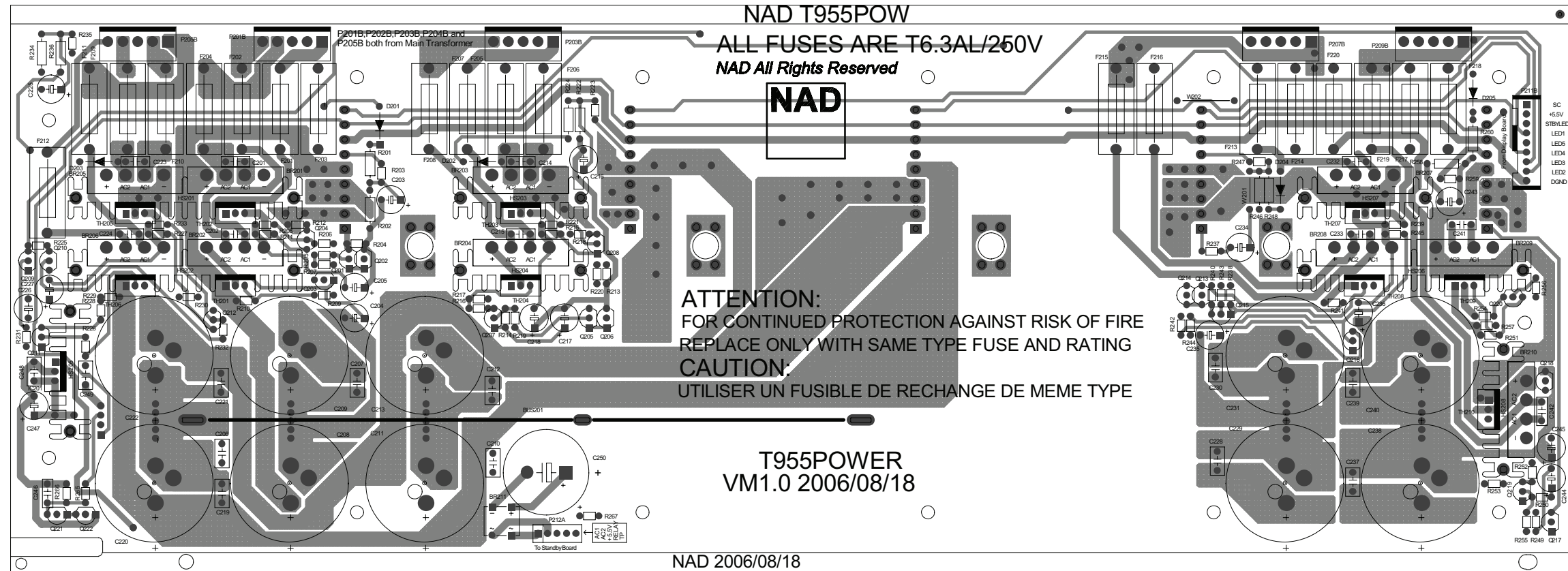


AMP BOARD - SOLDER SIDE

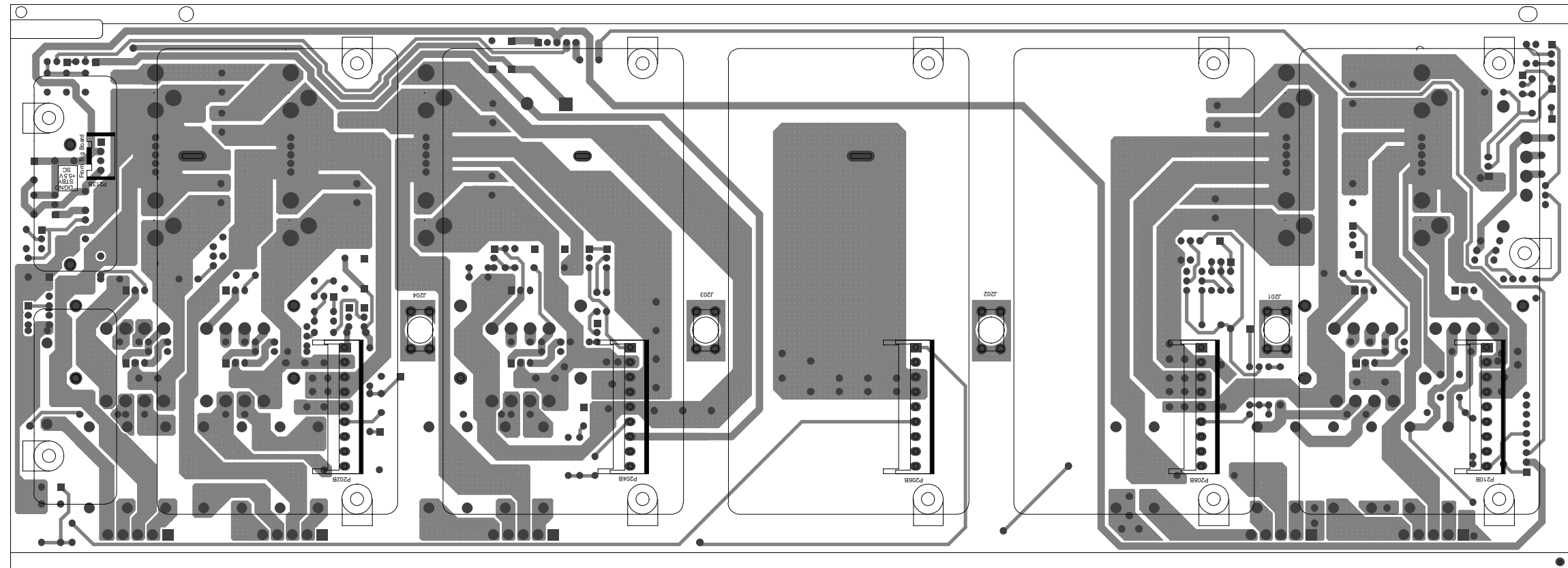


PCB LAYOUT

PSU BOARD - COMPONENT SIDE

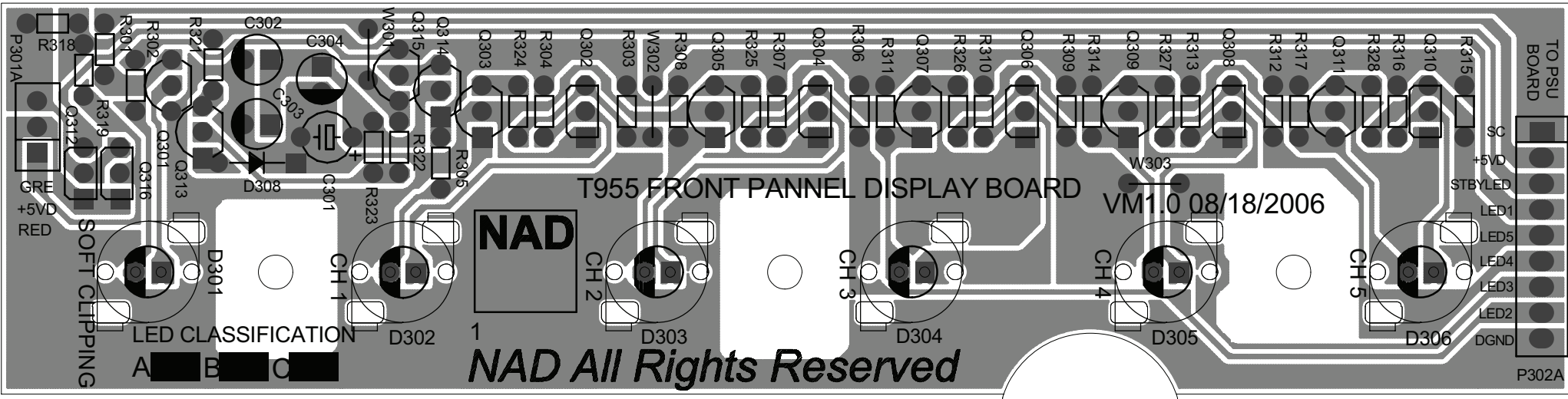


PSU BOARD - SOLDER SIDE



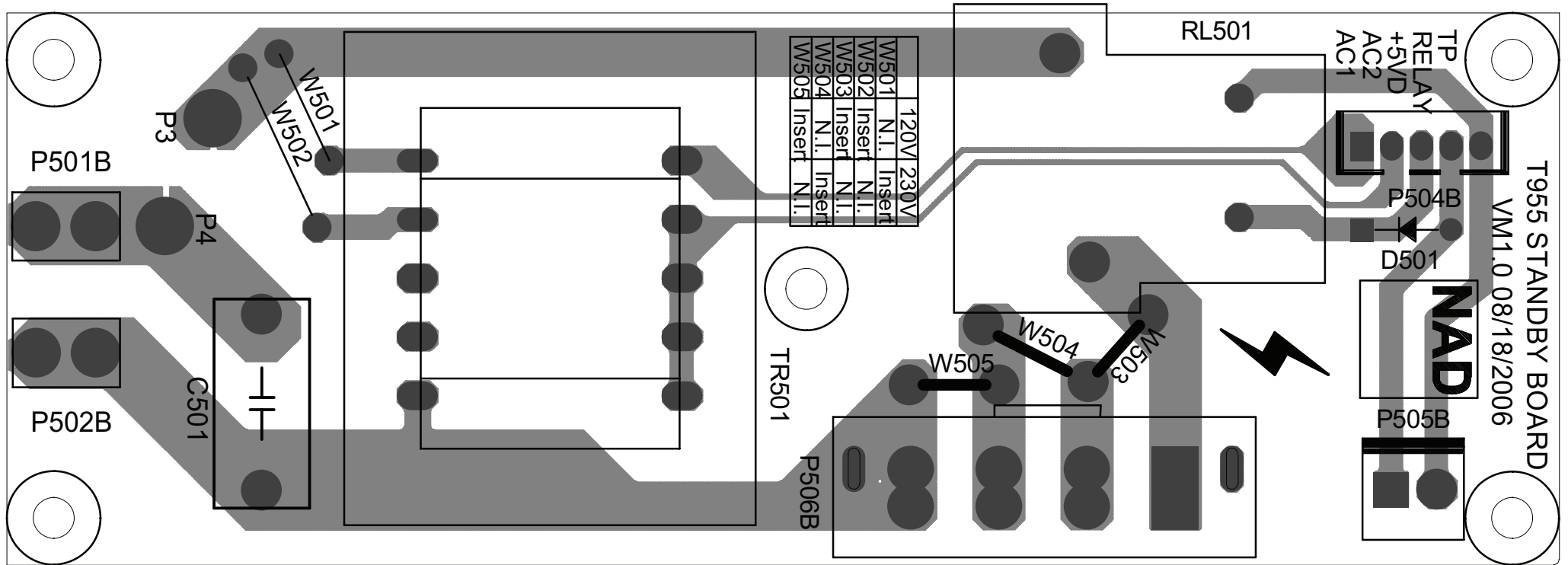
PCB LAYOUT

DISPLAY BOARD



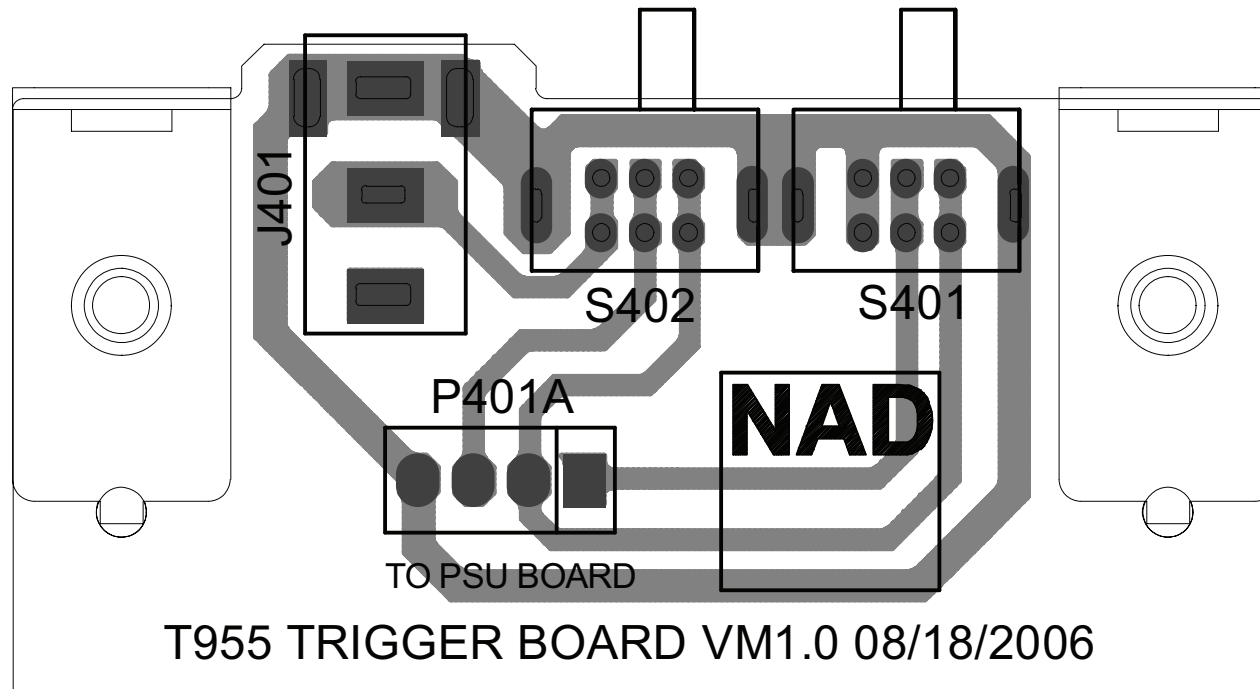
PCB LAYOUT

STANDBY BOARD

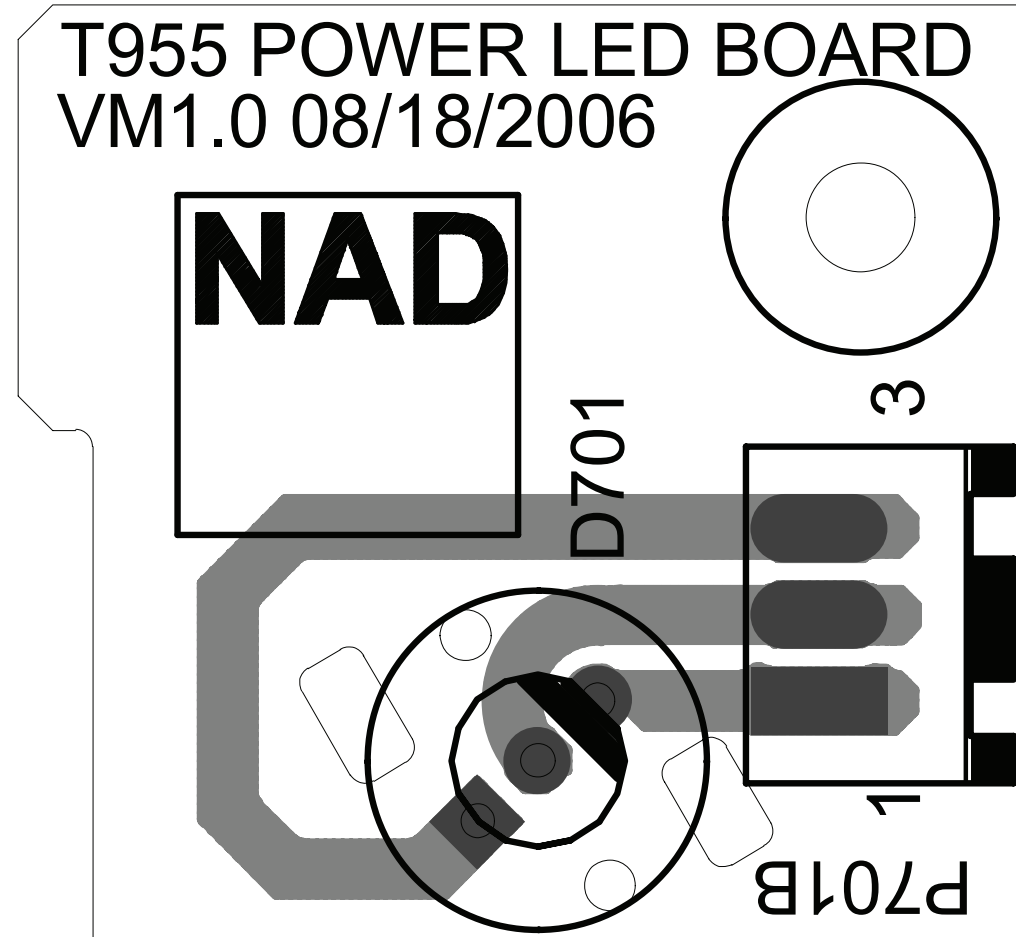


PCB LAYOUT

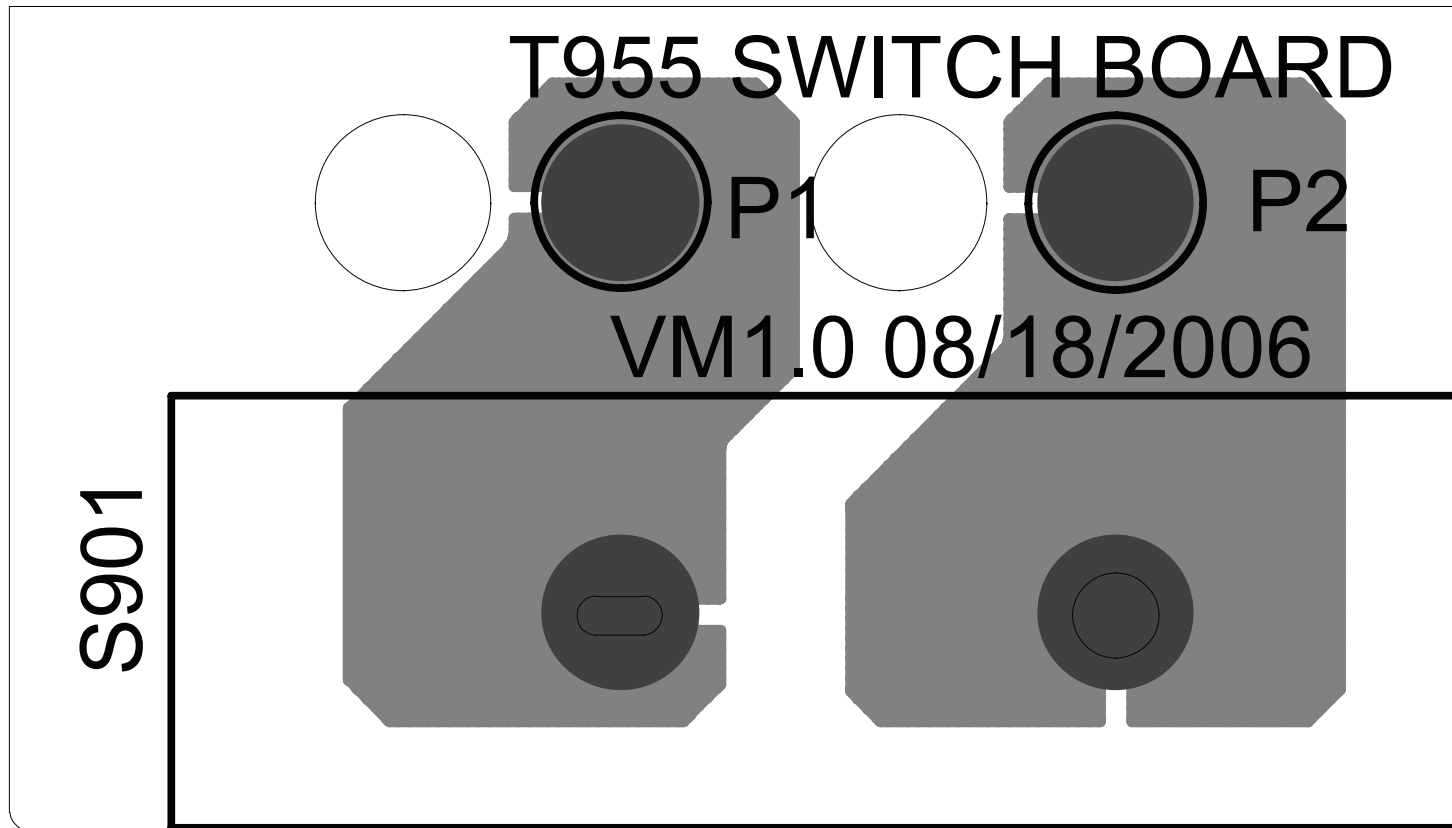
TRIGGER BOARD



POWER LED BOARD



POWER SWITCH BOARD



ELECTRICAL PARTS LIST

DESIGNATO	DESCRIPTION	PART TYPE	PART NUMBER	FOOTPRINT
AH P/N : 01-95501-10 C P/N : 01-95501-20 PCB1 BOARD (AMP)				
DIODE				
D101	Zener Diode	15V, 1/2W	33-11500-00	DAX/.300X.080/.031
D102	Recti Diode	1N5404	33-25404-01	DAX/.600X.200/.059
D103	Switch Diode	1N4148	33-44148-00	DAX/.300X.080/.031
D104	Switch Diode	1N4148	33-44148-00	DAX/.300X.080/.031
D105	Switch Diode	BAV21	33-40021-00	DAX/.300X.080/.031
D106	Zener Diode	2.2V, 1/2W	33-12209-00	DAX/.300X.080/.031
D107	Switch Diode	BAV21	33-40021-00	DAX/.300X.080/.031
D108	Zener Diode	6.8V, 1/2W	33-16809-00	DAX/.300X.080/.031
D109	Switch Diode	1N4148	33-44148-00	DAX/.300X.080/.031
D110	Zener Diode	24V, 1/2W	33-12400-00	DAX/.300X.080/.031
D111	Zener Diode	24V, 1/2W	33-12400-00	DAX/.300X.080/.031
D112	Zener Diode	2.7V, 1/2W	33-12709-00	DAX/.300X.080/.031
D113	Switch Diode	1N4148	33-44148-00	DAX/.300X.080/.031
D114	Switch Diode	1N4148	33-44148-00	DAX/.300X.080/.031
D115	Switch Diode	1N4148	33-44148-00	DAX/.300X.080/.031
D116	Switch Diode	1N4148	33-44148-00	DAX/.300X.080/.031
D117	Zener Diode	4.7V, 1/2W	33-14709-00	DAX/.300X.080/.031
D118	Zener Diode	4.7V, 1/2W	33-14709-00	DAX/.300X.080/.031
D119	Switch Diode	1N4148	33-44148-00	DAX/.300X.080/.031
D120	Switch Diode	1N4148	33-44148-00	DAX/.300X.080/.031
D121	Switch Diode	1N4148	33-44148-00	DAX/.300X.080/.031
D122	Switch Diode	1N4148	33-44148-00	DAX/.300X.080/.031
D123	Zener Diode	24V, 1W	33-12400-03	DAX/.300X.080/.031
D124	Switch Diode	BAV21	33-40021-00	DAX/.300X.080/.031
D125	Switch Diode	1N4148	33-44148-00	DAX/.300X.080/.031
D126	Switch Diode	1N4148	33-44148-00	DAX/.300X.080/.031
D127	Zener Diode	3.3V, 1/2W	33-13309-00	DAX/.300X.080/.031
D128	Zener Diode	3.3V, 1/2W	33-13309-00	DAX/.300X.080/.031
D129	Switch Diode	1N4148	33-44148-00	DAX/.300X.080/.031
D130	Switch Diode	1N4148	33-44148-00	DAX/.300X.080/.031
D131	Zener Diode	15V, 1/2W	33-11500-00	DAX/.300X.080/.031
D132	Switch Diode	BAV21	33-40021-00	DAX/.300X.080/.031
D133	Switch Diode	1N4148	33-44148-00	DAX/.300X.080/.031
D134	LED	φ3, GREEN	33-50350-00	DYL/D.200/LS.100/.039
D135	Switch Diode	1N4148	33-44148-00	DAX/.300X.080/.031
D136	LED	φ3, GREEN	33-50350-00	DYL/D.200/LS.100/.039
TRANSISTOR				
Q101	Transistor	KSC2690AYSTU	31-02690-00	TO126/90/ECB
Q102	Transistor	KSA1220AYSTU	31-01220-00	TO126/90/ECB
Q103	Transistor	2SC2240-GR	31-02240-00	TO92/100/ECB
Q104	Transistor	2SA970-GR	31-00970-00	TO92/100/ECB
Q105	Transistor	MPSA92	31-00092-00	TO92/100/EBC
Q106	Transistor	MPSA92	31-00092-00	TO92/100/EBC
Q107	Transistor	MPSA06	31-00006-00	TO92/100/EBC
Q107	Transistor	MPSA42	31-00042-00	TO92/100/EBC
Q107	Transistor	2N4401	31-04401-00	TO92/100/EBC
Q108	Transistor	MPSA06	31-00006-00	TO92/100/EBC
Q108	Transistor	MPSA42	31-00042-00	TO92/100/EBC
Q108	Transistor	2N4401	31-04401-00	TO92/100/EBC
Q110	Transistor	2SA1015-GR	31-01015-00	TO92/100/ECB
Q111	Transistor	2SC1815-GR	31-01815-00	TO92/100/ECB
Q112	Transistor	2SA970-GR	31-00970-00	TO92/100/ECB
Q113	Transistor	2SC2240-GR	31-02240-00	TO92/100/ECB
Q114	Transistor	2SC2240-GR	31-02240-00	TO92/100/ECB
Q115	Transistor	2SA970-GR	31-00970-00	TO92/100/ECB
Q116	Transistor	2SC2240-GR	31-02240-00	TO92/100/ECB

ELECTRICAL PARTS LIST

DESIGNATO	DESCRIPTION	PART TYPE	PART NUMBER	FOOTPRINT
Q117	Transistor	2SA970-GR	31-00970-00	TO92/100/ECB
Q118	Transistor	2SA1015-GR	31-01015-00	TO92/100/ECB
Q119	Transistor	2SC1815-GR	31-01815-00	TO92/100/ECB
Q120	Transistor	2SB647-ACTZ	31-00647-00	TO92/100/ECB
Q121	Transistor	2SD667-ACTZ	31-00667-00	TO92/100/ECB
Q122	Transistor	2SA1930	31-01930-00	TO220AB/BCE
Q122	Transistor	KTB1369-Y	31-01369-00	TO220AB/BCE
Q122	Transistor	KSA1220AYSTU	31-01220-00	TO126/90/ECB
Q123	Transistor	2SC5171	31-05171-00	TO220AB/BCE
Q123	Transistor	KTD2061-Y	31-02061-00	TO220AB/BCE
Q123	Transistor	KSC2690AYSTU	31-02690-00	TO126/90/ECB
Q124	Transistor	KSC2690AYSTU	31-02690-00	TO126/90/ECB
Q125	Transistor	KSA1220AYSTU	31-01220-00	TO126/90/ECB
Q126	Transistor	2SC5171	31-05171-00	TO220AB/BCE
Q126	Transistor	KTD2061-Y	31-02061-00	TO220AB/BCE
Q126	Transistor	KSC2690AYSTU	31-02690-00	TO126/90/ECB
Q127	Transistor	2SA1930	31-01930-00	TO220AB/BCE
Q127	Transistor	KTB1369-Y	31-01369-00	TO220AB/BCE
Q127	Transistor	KSA1220AYSTU	31-01220-00	TO126/90/ECB
Q128	Transistor	2SA1943-O	31-01943-00	TO264/215/SURFACE/BCE
Q129	Transistor	2SC5200-O	31-05200-00	TO264/215/SURFACE/BCE
Q130	Transistor	2SA1943-O	31-01943-00	TO264/215/SURFACE/BCE
Q131	Transistor	2SC5200-O	31-05200-00	TO264/215/SURFACE/BCE
Q132	Transistor	MPSA42	31-00042-00	TO92/100/EBC
Q133	Transistor	MPSA92	31-00092-00	TO92/100/EBC
Q134	Transistor	MPSA06	31-00006-00	TO92/100/EBC
Q134	Transistor	MPSA42	31-00042-00	TO92/100/EBC
Q134	Transistor	2N4401	31-04401-00	TO92/100/EBC
Q135	Transistor	MPSA56	31-00056-00	TO92/100/EBC
Q135	Transistor	MPSA92	31-00092-00	TO92/100/EBC
Q135	Transistor	2N4403	31-04403-00	TO92/100/EBC
Q136	Transistor	MPSA92	31-00092-00	TO92/100/EBC
Q137	Transistor	MPSA56	31-00056-00	TO92/100/EBC
Q137	Transistor	MPSA92	31-00092-00	TO92/100/EBC
Q137	Transistor	2N4403	31-04403-00	TO92/100/EBC
Q138	Transistor	2SC2240-GR	31-02240-00	TO92/100/ECB
Q139	Transistor	2SA970-GR	31-00970-00	TO92/100/ECB
Q140	Transistor	2SC1815-GR	31-01815-00	TO92/100/ECB
Q141	Transistor	KSC2690AYSTU	31-02690-00	TO126/90/ECB
Q142	Transistor	2SC1815-GR	31-01815-00	TO92/100/ECB
Q143	Transistor	2SC1815-GR	31-01815-00	TO92/100/ECB
Q144	Transistor	2SA1015-GR	31-01015-00	TO92/100/ECB
Q145	Transistor	2SA970-GR	31-00970-00	TO92/100/ECB
Q146	Transistor	2SC2240-GR	31-02240-00	TO92/100/ECB
Q147	Transistor	MPSA42	31-00042-00	TO92/100/EBC
Q147	Transistor	MPSA06	31-00006-00	TO92/100/EBC
Q147	Transistor	2N4401	31-04401-00	TO92/100/EBC
THERMAL SWITCH				
CB101	THERMAL CIRCUIT BRAKE	ST-22 75C L TYPE	07-70022-75	TO220AC/SURFACE
CB102	THERMAL CIRCUIT BRAKE	ST-22 90C L TYPE ST-22 70C L TYPE (later version)	07-70022-09	TO220AC/SURFACE
CB103	THERMAL CIRCUIT BRAKE	ST-22 90C L TYPE Not used in later versions of the amp	07-70022-09	TO220AC/SURFACE
IC				
IC101	DUAL OP-AMP	TL082CD	03-00082-00	DIP.100/8/W.300/L.400
IC102	DUAL OP-AMP	TL082CD	03-00082-00	DIP.100/8/W.300/L.400
IC103	Programmable Timer	MC14541BD	03-14541-01	SOG.050/14/WG.244/L.375

ELECTRICAL PARTS LIST

DESIGNATO	DESCRIPTION	PART TYPE	PART NUMBER	FOOTPRINT
IC104	Voltage ref	AZ431	03-00431-00	TO92/100/123
PC101	PHOTOCOUPLER	PC817A	03-00817-01	PHOTOCOUPLER_1
PC102	PHOTOCOUPLER	PC817A	03-00817-01	PHOTOCOUPLER_1
RESISTOR				
R101	Metal Film Resistor	680Ω, 1/6W, 5%	07-20681-50	AX/.200X.080/.031
R102	Metal Film Resistor	680Ω, 1/6W, 5%	07-20681-50	AX/.200X.080/.031
R103	Fusible Resistor	33Ω, 1/2W, 5%	07-50330-02	AX/.600X.125/.039
R104	Fusible Resistor	33Ω, 1/2W, 5%	07-50330-02	AX/.600X.125/.039
R105	Metal Film Resistor	680Ω, 1/6W, 5%	07-20681-50	AX/.200X.080/.031
R106	Metal Film Resistor	680Ω, 1/6W, 5%	07-20681-50	AX/.200X.080/.031
R107	Metal Film Resistor	680Ω, 1/6W, 5%	07-20681-50	AX/.200X.080/.031
R108	Metal Film Resistor	680Ω, 1/6W, 5%	07-20681-50	AX/.200X.080/.031
R109	Metal Film Resistor	680Ω, 1/6W, 5%	07-20681-50	AX/.200X.080/.031
R110	Metal Film Resistor	680Ω, 1/6W, 5%	07-20681-50	AX/.200X.080/.031
R111	Metal Film Resistor	680Ω, 1/6W, 5%	07-20681-50	AX/.200X.080/.031
R112	Metal Film Resistor	680Ω, 1/6W, 5%	07-20681-50	AX/.200X.080/.031
R113	Metal Film Resistor	4.7KΩ, 1/6W, 1%	07-24701-50	AX/.200X.080/.031
R114	Metal Film Resistor	4.3KΩ, 1/6W, 1%	07-24301-50	AX/.200X.080/.031
R115	Cement Resistor	0.05Ω, 3W, 5%	07-40507-04	RAD/.525X.200/LS.315/.039
R116	Metal Film Resistor	100Ω, 1/6W, 5%	07-20101-50	AX/.200X.080/.031
R117	Metal Film Resistor	9.1KΩ, 1/6W, 5%	07-20912-50	AX/.200X.080/.031
R118	Metal Film Resistor	470KΩ, 1/6W, 5%	07-20474-50	AX/.200X.080/.031
R119	Metal Film Resistor	120KΩ, 1/6W, 1%	07-21203-50	AX/.200X.080/.031
R120	Metal Film Resistor	220KΩ, 1/6W, 5%	07-20224-50	AX/.200X.080/.031
R121	Metal Film Resistor	220KΩ, 1/6W, 5%	07-20224-50	AX/.200X.080/.031
R122	Metal Film Resistor	10KΩ, 1/6W, 5%	07-20103-50	AX/.200X.080/.031
R123	Metal Film Resistor	10KΩ, 1/6W, 5%	07-20103-50	AX/.200X.080/.031
R124	Metal Film Resistor	470KΩ, 1/6W, 5%	07-20474-50	AX/.200X.080/.031
R125	Metal Film Resistor	390KΩ, 1/6W, 5%	07-20394-50	AX/.200X.080/.031
R126	Metal Film Resistor	100KΩ, 1/6W, 5%	07-20104-50	AX/.200X.080/.031
R127	Metal Film Resistor	100KΩ, 1/6W, 5%	07-20104-50	AX/.200X.080/.031
R128	Metal Film Resistor	220KΩ, 1/6W, 5%	07-20224-50	AX/.200X.080/.031
R129	Metal Film Resistor	220KΩ, 1/6W, 5%	07-20224-50	AX/.200X.080/.031
R130	Metal Film Resistor	10KΩ, 1/6W, 5%	07-20103-50	AX/.200X.080/.031
R131	Metal Film Resistor	10KΩ, 1/6W, 5%	07-20103-50	AX/.200X.080/.031
R132	JUMPER	5mm	21-06000-00	AX/.200X.080/.031
R133	JUMPER	5mm	21-06000-00	AX/.200X.080/.031
R134	Metal Film Resistor	1KΩ, 1/6W, 5%	07-20102-50	AX/.200X.080/.031
R135	Metal Film Resistor	10KΩ, 1/6W, 5%	07-20103-50	AX/.200X.080/.031
R136	Metal Film Resistor	560Ω, 1/6W, 5%	07-20561-50	AX/.200X.080/.031
R137	Metal Film Resistor	27KΩ, 1/6W, 1%	07-22702-50	AX/.200X.080/.031
R138	Metal Film Resistor	27KΩ, 1/6W, 1%	07-22702-50	AX/.200X.080/.031
R139	Metal Film Resistor	1KΩ, 1/6W, 1%	07-21001-50	AX/.200X.080/.031
R140	Metal Film Resistor	1KΩ, 1/6W, 1%	07-21001-50	AX/.200X.080/.031
R141	Metal Film Resistor	1KΩ, 1/6W, 1%	07-21001-50	AX/.200X.080/.031
R142	Metal Film Resistor	1KΩ, 1/6W, 1%	07-21001-50	AX/.200X.080/.031
R143	Metal Film Resistor	100Ω, 1/6W, 5%	07-20101-50	AX/.200X.080/.031
R144	Metal Film Resistor	100Ω, 1/6W, 5%	07-20101-50	AX/.200X.080/.031
R145	Metal Film Resistor	220KΩ, 1/6W, 5%	07-20224-50	AX/.200X.080/.031
R146	Metal Film Resistor	470Ω, 1/6W, 5%	07-20471-50	AX/.200X.080/.031
R147	Metal Film Resistor	100Ω, 1/6W, 5%	07-20101-50	AX/.200X.080/.031
R148	Metal Film Resistor	22KΩ, 1/6W, 5%	07-20223-50	AX/.200X.080/.031
R149	Metal Film Resistor	10Ω, 1/6W, 5%	07-20100-50	AX/.200X.080/.031
R150	Metal Film Resistor	10Ω, 1/6W, 5%	07-20100-50	AX/.200X.080/.031
R151	Metal Film Resistor	22KΩ, 1/6W, 5%	07-20223-50	AX/.200X.080/.031
R152	Metal Film Resistor	22KΩ, 1/6W, 5%	07-20223-50	AX/.200X.080/.031
R153	Metal Film Resistor	100Ω, 1/6W, 5%	07-20101-50	AX/.200X.080/.031
R154	Metal Film Resistor	100Ω, 1/6W, 5%	07-20101-50	AX/.200X.080/.031
R155	Metal Film Resistor	39KΩ, 1/6W, 5%	07-20393-50	AX/.200X.080/.031

ELECTRICAL PARTS LIST

DESIGNATO	DESCRIPTION	PART TYPE	PART NUMBER	FOOTPRINT
R156	Metal Film Resistor	39K Ω , 1/6W, 5%	07-20393-50	AX/.200X.080/.031
R157	Metal Film Resistor	220K Ω , 1/6W, 5%	07-20224-50	AX/.200X.080/.031
R158	Metal Film Resistor	220K Ω , 1/6W, 5%	07-20224-50	AX/.200X.080/.031
R159	Metal Film Resistor	33 Ω , 1/6W, 5%	07-20330-50	AX/.200X.080/.031
R160	Metal Film Resistor	33 Ω , 1/6W, 5%	07-20330-50	AX/.200X.080/.031
R161	Metal Film Resistor	82 Ω , 1/6W, 5%	07-20820-50	AX/.200X.080/.031
R162	Metal Film Resistor	82 Ω , 1/6W, 5%	07-20820-50	AX/.200X.080/.031
R164	Metal Film Resistor	22K Ω , 1/6W, 5%	07-20223-50	AX/.200X.080/.031
R165	JUMPER	5mm	21-06000-00	AX/.200X.080/.031
R166	Metal Film Resistor	10K Ω , 1/6W, 5%	07-20103-50	AX/.200X.080/.031
R167	Metal Film Resistor	82 Ω , 1/6W, 5%	07-20820-50	AX/.200X.080/.031
R168	Metal Film Resistor	82 Ω , 1/6W, 5%	07-20820-50	AX/.200X.080/.031
R169	Fusible Resistor	82 Ω , 1W, 5%	07-50820-02	AX/.600X.125/.039
R170	Fusible Resistor	82 Ω , 1W, 5%	07-50820-02	AX/.600X.125/.039
R171	Metal Film Resistor	100K Ω , 1/6W, 5%	07-20104-50	AX/.200X.080/.031
R172	Metal Film Resistor	100K Ω , 1/6W, 5%	07-20104-50	AX/.200X.080/.031
R173	Metal Oxide Film Resistor	1.5K Ω , 2W, 5%	07-30152-02	AX/.600X.125/.039
R174	Metal Oxide Film Resistor	1.5K Ω , 2W, 5%	07-30152-02	AX/.600X.125/.039
R175	Fusible Resistor	330 Ω , 1/4W, 5%	07-50331-10	AX/.400X.100/.031
R176	Fusible Resistor	330 Ω , 1/4W, 5%	07-50331-10	AX/.400X.100/.031
R177	Metal Film Resistor	5.6 Ω , 1/4W, 5%	07-20569-51	AX/.400X.100/.031
R178	Metal Film Resistor	5.6 Ω , 1/4W, 5%	07-20569-51	AX/.400X.100/.031
R179	Metal Film Resistor	10 Ω , 1/4W, 5%	07-20100-51	AX/.400X.100/.031
R180	Metal Film Resistor	10 Ω , 1/4W, 5%	07-20100-51	AX/.400X.100/.031
R181	Metal Film Resistor	430 Ω , 1/4W, 5%	07-20431-51	AX/.200X.080/.031
R182	Metal Film Resistor	22 Ω , 1/6W, 5%	07-20220-50	AX/.200X.080/.031
R183	Metal Film Resistor	15 Ω , 1/4W, 5%	07-20150-51	AX/.400X.100/.031
R184	Metal Film Resistor	15 Ω , 1/4W, 5%	07-20150-51	AX/.400X.100/.031
R185	Metal Film Resistor	18 Ω , 1/4W, 5%	07-20180-51	AX/.400X.100/.031
R186	Metal Film Resistor	18 Ω , 1/4W, 5%	07-20180-51	AX/.400X.100/.031
R187	Metal Oxide Film Resistor	1 Ω , 1/2W, 5%	07-30109-02	AX/.600X.125/.039
R188	Metal Oxide Film Resistor	1 Ω , 1/2W, 5%	07-30109-02	AX/.600X.125/.039
R189	Fusible Resistor	2.2 Ω , 1/4W, 5%	07-50229-02	AX/.600X.125/.039
R190	Fusible Resistor	2.2 Ω , 1/4W, 5%	07-50229-02	AX/.600X.125/.039
R191	Metal Oxide Film Resistor	1 Ω , 1/2W, 5%	07-30109-02	AX/.600X.125/.039
R192	Metal Oxide Film Resistor	1 Ω , 1/2W, 5%	07-30109-02	AX/.600X.125/.039
R193	Cement Resistor	0.068 Ω , 5W, 5%	07-40687-06	RAD/.525X.200/LS.315/.039
R194	Cement Resistor	0.068 Ω , 5W, 5%	07-40687-06	RAD/.525X.200/LS.315/.039
R195	Fusible Resistor	2.2 Ω , 1/4W, 5%	07-50229-02	AX/.600X.125/.039
R196	Fusible Resistor	2.2 Ω , 1/4W, 5%	07-50229-02	AX/.600X.125/.039
R197	Metal Film Resistor	300 Ω , 1/6W, 5%	07-20301-50	AX/.200X.080/.031
R198	Metal Film Resistor	1K Ω , 1/4W, 5%	07-20102-51	AX/.400X.100/.031
R199	Metal Film Resistor	1K Ω , 1/6W, 5%	07-20102-50	AX/.200X.080/.031
R1A0	Metal Film Resistor	1K Ω , 1/6W, 5%	07-20102-50	AX/.200X.080/.031
R1A1	Metal Film Resistor	15K Ω , 1/6W, 5%	07-20153-50	AX/.200X.080/.031
R1A2	Metal Film Resistor	15K Ω , 1/6W, 5%	07-20153-50	AX/.200X.080/.031
R1A3	Metal Film Resistor	4.7K Ω , 1/6W, 1%	07-24701-50	AX/.200X.080/.031
R1A4	Metal Film Resistor	22K Ω , 1/6W, 5%	07-20223-50	AX/.200X.080/.031
R1A5	Metal Film Resistor	22K Ω , 1/6W, 5%	07-20223-50	AX/.200X.080/.031
R1A6	Metal Film Resistor	10K Ω , 1/6W, 5%	07-20103-50	AX/.200X.080/.031
R1A7	Metal Film Resistor	100K Ω , 1/6W, 5%	07-20104-50	AX/.200X.080/.031
R1A8	Metal Film Resistor	100K Ω , 1/6W, 5%	07-20104-50	AX/.200X.080/.031
R1A9	Metal Film Resistor	47K Ω , 1/6W, 1%	07-24702-50	AX/.200X.080/.031
R1E0	Metal Film Resistor	100K Ω , 1/6W, 5%	07-20104-50	AX/.200X.080/.031
R1E1	Metal Film Resistor	22K Ω , 1/6W, 5%	07-20223-50	AX/.200X.080/.031
R1E2	Metal Film Resistor	1K Ω , 2W, 1%	07-21001-02	AX/.800X.200/.037
R1E3	Metal Film Resistor	47 Ω , 1/6W, 5%	07-20470-50	AX/.200X.080/.031
R1E4	Metal Oxide Film Resistor	2.7 Ω , 1W, 5%	07-30279-01	AX/.600X.125/.039
R1E5	Metal Oxide Film Resistor	1 Ω , 1W, 5%	07-30109-01	AX/.600X.125/.039

ELECTRICAL PARTS LIST

DESIGNATO	DESCRIPTION	PART TYPE	PART NUMBER	FOOTPRINT
R1E6	Metal Film Resistor	1meg Ω , 1/6W, 5%	07-20105-50	AX/.200X.080/.031
R1E7	Metal Film Resistor	36 Ω , 1W, 1%	07-23609-01	AX/.600X.125/.039
R1E8	Metal Film Resistor	2.2K Ω , 1/6W, 5%	07-20222-50	AX/.200X.080/.031
R1E9	Metal Film Resistor	1meg Ω , 1/6W, 5%	07-20105-50	AX/.200X.080/.031
R1F1	Metal Film Resistor	910K Ω , 1/6W, 5%	07-20914-50	AX/.200X.080/.031
R1G1	Metal Oxide Film Resistor	100 Ω , 2W, 5%	07-30101-05	AX/.600X.125/.039
R1H0	Metal Film Resistor	22K Ω , 1/6W, 5%	07-20223-50	AX/.200X.080/.031
R1H1	Metal Film Resistor	10K Ω , 1/6W, 5%	07-20103-50	AX/.200X.080/.031
R1H3	Metal Film Resistor	3.3K Ω , 1/6W, 5%	07-20332-50	AX/.200X.080/.031
R1H4	Metal Film Resistor	1.5K Ω , 1/6W, 5%	07-20152-50	AX/.200X.080/.031
R1H5	Metal Film Resistor	470K Ω , 1/6W, 5%	07-20474-50	AX/.200X.080/.031
R1H6	Metal Oxide Film Resistor	820 Ω , 2W, 5%	07-30821-02	AX/.800X.200/.037
R1H7	Metal Film Resistor	220K Ω , 1/6W, 5%	07-20224-50	AX/.200X.080/.031
R1H8	Metal Oxide Film Resistor	3.9K Ω , 1W, 5%	07-30392-01	AX/.600X.125/.039
R1H9	Metal Film Resistor	22K Ω , 1/6W, 5%	07-20223-50	AX/.200X.080/.031
R1K1	Metal Film Resistor	47K Ω , 1/6W, 1%	07-24702-50	AX/.200X.080/.031
R1K2	Metal Film Resistor	100K Ω , 1/6W, 1%	07-21003-50	AX/.200X.080/.031
R1K3	Metal Film Resistor	2.2K Ω , 1/6W, 5%	07-20222-50	AX/.200X.080/.031
R1K4	Metal Film Resistor	47 Ω , 1/4W, 5%	07-20470-51	AX/.400X.100/.031
R1K5	Metal Film Resistor	47 Ω , 1/4W, 5%	07-20470-51	AX/.400X.100/.031
R1X1	Metal Film Resistor	1.8K Ω , 1/6W, 5%	07-20182-50	AX/.200X.080/.031
R1X2	Metal Film Resistor	2.2K Ω , 1/6W, 5%	07-20222-50	AX/.200X.080/.031
R1X3	Metal Film Resistor	2.2K Ω , 1/6W, 5%	07-20222-50	AX/.200X.080/.031
R1X4	Metal Film Resistor	6.8K Ω , 1/6W, 1%	07-26801-50	AX/.200X.080/.031
R1X5	Metal Film Resistor	1K Ω , 1/6W, 1%	07-21001-50	AX/.200X.080/.031
R1X6	Metal Film Resistor	16K Ω , 1/6W, 1%	07-21602-50	AX/.200X.080/.031
R1X7	Metal Film Resistor	10K Ω , 1/6W, 1%	07-21002-50	AX/.200X.080/.031
R1X8	Metal Film Resistor	33K Ω , 1/6W, 5%	07-20333-50	AX/.200X.080/.031
R1Y1	Metal Film Resistor	220K Ω , 1/6W, 5%	07-20224-50	AX/.200X.080/.031
CAPACITOR				
C101	ALU Electrolytic Capacitor	220uF/63V, 20%, 105 $^{\circ}$ C	06-22161-01	CPCYL1/D.400/LS.200/.031
C102	ALU Electrolytic Capacitor	220uF/63V, 20%, 105 $^{\circ}$ C	06-22161-01	CPCYL1/D.400/LS.200/.031
C103	ALU Electrolytic Capacitor	220uF/25V, 20%, 105 $^{\circ}$ C	06-22121-03	CPCYL1/D.300/LS.200/.031
C104	ALU Electrolytic Capacitor	220uF/25V, 20%, 105 $^{\circ}$ C	06-22121-03	CPCYL1/D.300/LS.200/.031
C105	Ceramic Capacitor	22pF, 10%, 1KV	05-22013-00	CPAX/.200X.100/.032
C106	Ceramic Capacitor	22pF, 10%, 1KV	05-22013-00	CPAX/.200X.100/.032
C107	ALU Electrolytic Capacitor	47uF/25V, 20%, 105 $^{\circ}$ C	06-47021-01	CPCYL1/D.200/LS.200/.031
C108	ALU Electrolytic Capacitor	47uF/25V, 20%, 105 $^{\circ}$ C	06-47021-01	CPCYL1/D.200/LS.200/.031
C109	ALU Electrolytic Capacitor	47uF/25V, 20%, 105 $^{\circ}$ C	06-47021-01	CPCYL1/D.200/LS.200/.031
C110	ALU Electrolytic Capacitor	47uF/25V, 20%, 105 $^{\circ}$ C	06-47021-01	CPCYL1/D.200/LS.200/.031
C111	ALU Electrolytic Capacitor	1uF/50V, 20%, 105 $^{\circ}$ C	06-10951-03	CPCYL/D.200/LS.200/.031
C112	ALU Electrolytic Capacitor	1uF/50V, 20%, 105 $^{\circ}$ C	06-10951-03	CPCYL/D.200/LS.200/.031
C113	ALU Electrolytic Capacitor	1uF/50V, 20%, 105 $^{\circ}$ C	06-10951-03	CPCYL/D.200/LS.200/.031
C114	ALU Electrolytic Capacitor	1uF/50V, 20%, 105 $^{\circ}$ C	06-10951-03	CPCYL/D.200/LS.200/.031
C115	Bi-polarized ALU Electrolytic Capacitor	220uF/10V, 20%, 105 $^{\circ}$ C	06-22111-13	CYL/D.300/LS.200/.031

ELECTRICAL PARTS LIST

DESIGNATO	DESCRIPTION	PART TYPE	PART NUMBER	FOOTPRINT
C117	ALU Electrolytic Capacitor	10uF/50V, 20%, 105°C	06-10051-01	CPCYL1/D.200/LS.200/.031
C118	ALU Electrolytic Capacitor	10uF/50V, 20%, 105°C	06-10051-01	CPCYL1/D.200/LS.200/.031
C119	ALU Electrolytic Capacitor	1uF/50V, 20%, 105°C	06-10951-03	CPCYL/D.200/LS.200/.031
C120	ALU Electrolytic Capacitor	1uF/50V, 20%, 105°C	06-10951-03	CPCYL/D.200/LS.200/.031
C121	Polyester capacitor	100nF, 10%, 63V	25-10461-00	RAD/.300X.150/LS.200/.035
C122	ALU Electrolytic Capacitor	10uF/50V, 20%, 105°C	06-10051-01	CPCYL1/D.200/LS.200/.031
C123	Ceramic Capacitor	180pF, 10%, 1KV	05-18113-00	CPAX/.200X.100/.036
C124	Ceramic Capacitor	470pF, 10%, 1KV	05-47113-00	CPAX/.200X.100/.038
C125	ALU Electrolytic Capacitor	150uF/80V, 20%, 105°C	06-15181-00	CPCYL1/D.400/LS.200/.031
C126	ALU Electrolytic Capacitor	150uF/80V, 20%, 105°C	06-15181-00	CPCYL1/D.400/LS.200/.031
C127	ALU Electrolytic Capacitor	10uF/50V, 20%, 105°C	06-10051-01	CPCYL1/D.200/LS.200/.031
C128	ALU Electrolytic Capacitor	10uF/50V, 20%, 105°C	06-10051-01	CPCYL1/D.200/LS.200/.031
C129	Ceramic Capacitor	68pF, 10%, 1KV	05-68013-00	CPAX/.200X.100/.036
C130	Ceramic Capacitor	68pF, 10%, 1KV	05-68013-00	CPAX/.200X.100/.036
C132	Polyester capacitor	100nF, 5%, 100V	25-10412-04	RAD/.300X.150/LS.200/.034
C133	ALU Electrolytic Capacitor	47uF/25V, 20%, 105°C	06-47021-01	CPCYL1/D.200/LS.200/.031
C134	ALU Electrolytic Capacitor	47uF/25V, 20%, 105°C	06-47021-01	CPCYL1/D.200/LS.200/.031
C135	Ceramic Capacitor	470pF, 10%, 1KV	05-47113-00	CPAX/.200X.100/.038
C136	Ceramic Capacitor	470pF, 10%, 1KV	05-47113-00	CPAX/.200X.100/.038
C137	Ceramic Capacitor	220pF, 10%, 1KV	05-22113-01	CPAX/.200X.100/.036
C138	Ceramic Capacitor	220pF, 10%, 1KV	05-22113-01	CPAX/.200X.100/.036
C139	ALU Electrolytic Capacitor	4.7uF/50V, 20%, 105°C	06-47951-05	CPCYL/D.200/LS.200/.031
C140	Polyester capacitor	100nF, 5%, 100V	25-10412-04	RAD/.300X.150/LS.200/.034
C142	Polyester capacitor	22nF, 10%, 63V	25-22361-03	RAD/.300X.150/LS.200/.031
C143	ALU Electrolytic Capacitor	4.7uF/50V, 20%, 105°C	06-47951-05	CPCYL/D.200/LS.200/.031
C144	Polyester capacitor	100nF, 10%, 63V	25-10461-00	RAD/.300X.150/LS.200/.035
C145	Polyester capacitor	10nF, 10%, 63V	25-10361-04	RAD/.300X.150/LS.200/.031
C146	JUMPER	5mm	21-06000-00	CPCYL1/D.400/LS.200/.031
C148	Polyester capacitor	470nF, 10%, 63V	25-47461-01	RAD/.300X.150/LS.200/.036
C149	Polyester capacitor	470nF, 10%, 63V	25-47461-01	RAD/.300X.150/LS.200/.036
C150	ALU Electrolytic Capacitor	22uF/16V, 20%, 105°C	06-22011-07	CPCYL1/D.200/LS.200/.031
C151	ALU Electrolytic Capacitor	22uF/16V, 20%, 105°C	06-22011-07	CPCYL1/D.200/LS.200/.031
C153	Polyester capacitor	100nF, 10%, 63V	25-10461-00	RAD/.300X.150/LS.200/.035
C154	Polyester capacitor	100nF, 10%, 63V	25-10461-00	RAD/.300X.150/LS.200/.035
C155	Polyester capacitor	22nF, 10%, 63V	25-22361-03	RAD/.300X.150/LS.200/.031
C156	Metallized Polypropylene Film Capacitor	1nF, 1%, 63V	25-10261-01	RAD/.300X.150/LS.200/.031
C157	Polyester capacitor	220nF, 10%, 63V	25-22461-01	RAD/.300X.150/LS.200/.031
C158	Polyester capacitor	100nF, 10%, 63V	25-10461-00	RAD/.300X.150/LS.200/.035
C159	Polyester capacitor	100nF, 10%, 63V	25-10461-00	RAD/.300X.150/LS.200/.035
C160	Polyester capacitor	100nF, 10%, 63V	25-10461-00	RAD/.300X.150/LS.200/.035
C161	Polyester capacitor	100nF, 10%, 63V	25-10461-00	RAD/.300X.150/LS.200/.035
C164	Polyester capacitor	100nF, 10%, 63V	25-10461-00	RAD/.300X.150/LS.200/.035
C165	Polyester capacitor	100nF, 10%, 63V	25-10461-00	RAD/.300X.150/LS.200/.035

ELECTRICAL PARTS LIST

DESIGNATO	DESCRIPTION	PART TYPE	PART NUMBER	FOOTPRINT
C170	ALU Electrolytic Capacitor	10uF/50V, 20%, 105°C	06-10051-01	CPCYL1/D.200/LS.200/.031
C171	ALU Electrolytic Capacitor	10uF/50V, 20%, 105°C	06-10051-01	CPCYL1/D.200/LS.200/.031
C1G1	Polyester capacitor	100nF, 10%, 63V	25-10461-00	RAD/.300X.150/LS.200/.035
INDUCTOR				
L101	Inductor	0.7uH, horizontal type	08-01079-01	RAD/.850X.450/LS.700/.059
L102	Inductor	EMC421-101S, 100uH	08-01101-01	INDUCTOR_1
RELAY				
RL101	RELAY	JQX-115F/024-1HS1(551)	12-03101-06	RELAY_1
POT				
RV101	SEMI POT	100K, vertical type	09-02104-01	VRES17
RV102	JUMPER	5mm	21-06000-00	VRES17
RV103	SEMI POT	100Ω, vertical type	09-02101-01	VRES17
JUMPER				
W101	JUMPER	7.5mm	21-06000-00	7.5mm
W102	JUMPER	7.5mm	21-06000-00	7.5mm
W103	JUMPER	7.5mm	21-06000-00	7.5mm
W104	JUMPER	7.5mm	21-06000-00	7.5mm
BUS101	BUSBAR		69-010001-0	
CONNECTOR				
P101A	CONNECTOR	9PIN	13-13909-02	BLKCON.155/MOLEX41662/RIGHTA NGLE/9
P102A	CONNECTOR	6PIN2.54 90deg	13-12506-02	BLKCON.100/VH/TM2OE/W.200/6
P103A	CONNECTOR		14-95501-02	
P104A	CONNECTOR	3PIN2.54	13-12503-00	
P105A	CONNECTOR	2PIN2.54 90deg	13-12502-03	
J101	RCA	AV-8.4-14, white	17-01001-10	RCA_1A
BP101	BINDING POST ASSY	C	02-03003-20	
BP101	BINDING POST ASSY	AH	02-03003-10	
	磁环	Φ5×Φ3×5	19-05005-00	
P/N 01-95502-00 PCB2 BOARD (POWER SUPPLY)				
DIODE				
D201	RECTIFY DIODES	1N4007	33-24007-01	DAX/.400X.100/.039
D202	RECTIFY DIODES	1N4007	33-24007-01	DAX/.400X.100/.039
D203	RECTIFY DIODES	1N4007	33-24007-01	DAX/.400X.100/.039
D204	RECTIFY DIODES	1N4007	33-24007-01	DAX/.400X.100/.039
D205	RECTIFY DIODES	1N4007	33-24007-01	DAX/.400X.100/.039
TH201	THYRISTOR	BT151X-500R	33-60151-00	TO220AB
TH202	THYRISTOR	BT151X-500R	33-60151-00	TO220AB
TH203	THYRISTOR	BT151-500R	33-60116-00	TO220AB
TH204	THYRISTOR	BT151-500R	33-60116-00	TO220AB
TH205	THYRISTOR	BT151X-500R	33-60151-00	TO220AB
TH206	THYRISTOR	BT151X-500R	33-60151-00	TO220AB
TH207	THYRISTOR	BT151-500R	33-60116-00	TO220AB
TH208	THYRISTOR	BT151X-500R	33-60151-00	TO220AB
TH209	THYRISTOR	BT151X-500R	33-60151-00	TO220AB
TH210	THYRISTOR	BT151-500R	33-60116-00	TO220AB
BRIDGE				
BR201	BRIDGE	KBU8D	33-30822-01	BRIDGE/1.010X.290/.063
BR202	BRIDGE	KBU8D	33-30822-01	BRIDGE/1.010X.290/.063
BR203	BRIDGE	KBU8D	33-30822-01	BRIDGE/1.010X.290/.063
BR204	BRIDGE	KBU8D	33-30822-01	BRIDGE/1.010X.290/.063
BR205	BRIDGE	KBU8D	33-30822-01	BRIDGE/1.010X.290/.063
BR206	BRIDGE	KBU8D	33-30822-01	BRIDGE/1.010X.290/.063
BR207	BRIDGE	KBU8D	33-30822-01	BRIDGE/1.010X.290/.063

ELECTRICAL PARTS LIST

DESIGNATO	DESCRIPTION	PART TYPE	PART NUMBER	FOOTPRINT
BR208	BRIDGE	KBU8D	33-30822-01	BRIDGE/1.010X.290/.063
BR209	BRIDGE	KBU8D	33-30822-01	BRIDGE/1.010X.290/.063
BR210	BRIDGE	KBU8D	33-30822-01	BRIDGE/1.010X.290/.063
BR211	BRIDGE	DB104G	33-30142-00	BRIDGE/.400X.500/.047
TRANSISTOR				
Q201	Transistor	2SC1815-GR	31-01815-00	TO92/100/ECB
Q202	Transistor	2SA1015-GR	31-01015-00	TO92/100/ECB
Q203	Transistor	MPSA92	31-00092-00	TO92/100/EBC
Q204	Transistor	MPSA42	31-00042-00	TO92/100/EBC
Q205	Transistor	2SC1815-GR	31-01815-00	TO92/100/ECB
Q206	Transistor	2SA1015-GR	31-01015-00	TO92/100/ECB
Q207	Transistor	MPSA92	31-00092-00	TO92/100/EBC
Q208	Transistor	MPSA42	31-00042-00	TO92/100/EBC
Q209	Transistor	2SC1815-GR	31-01815-00	TO92/100/ECB
Q210	Transistor	2SA1015-GR	31-01015-00	TO92/100/ECB
Q211	Transistor	MPSA92	31-00092-00	TO92/100/EBC
Q212	Transistor	MPSA42	31-00042-00	TO92/100/EBC
Q213	Transistor	2SC1815-GR	31-01815-00	TO92/100/ECB
Q214	Transistor	2SA1015-GR	31-01015-00	TO92/100/ECB
Q215	Transistor	MPSA92	31-00092-00	TO92/100/EBC
Q216	Transistor	MPSA42	31-00042-00	TO92/100/EBC
Q217	Transistor	2SC1815-GR	31-01815-00	TO92/100/ECB
Q218	Transistor	2SA1015-GR	31-01015-00	TO92/100/ECB
Q219	Transistor	MPSA92	31-00092-00	TO92/100/EBC
Q220	Transistor	MPSA42	31-00042-00	TO92/100/EBC
Q221	Transistor	2SC1815-GR	31-01815-00	TO92/100/ECB
Q222	Transistor	2SD667-AWC	31-00667-00	TO92/100/ECB
IC				
IC201	RAGULATOR	L7806CT	03-07806-00	TO220AB
RESISTOR				
R201	Metal Film Resistor	4.7K Ω , 1/4W, 5%	07-20472-51	AX/.400X.100/.031
R202	Metal Film Resistor	15K Ω , 1/4W, 5%	07-20153-51	AX/.400X.100/.031
R203	Metal Film Resistor	1K Ω , 1/6W, 5%	07-20102-50	AX/.200X.100/.031
R204	Metal Film Resistor	10K Ω , 1/6W, 5%	07-20103-50	AX/.200X.100/.031
R205	Metal Film Resistor	22K Ω , 1/6W, 5%	07-20223-50	AX/.200X.100/.031
R206	Metal Film Resistor	22K Ω , 1/6W, 5%	07-20223-50	AX/.200X.100/.031
R207	Metal Film Resistor	1K Ω , 1/6W, 5%	07-20102-50	AX/.200X.100/.031
R208	Metal Film Resistor	1K Ω , 1/6W, 5%	07-20102-50	AX/.200X.100/.031
R209	Metal Film Resistor	100 Ω , 1/6W, 5%	07-20101-50	AX/.200X.100/.031
R210	Metal Film Resistor	1K Ω , 1/6W, 5%	07-20102-50	AX/.200X.100/.031
R211	Metal Film Resistor	1K Ω , 1/6W, 5%	07-20102-50	AX/.200X.100/.031
R212	Metal Film Resistor	100 Ω , 1/6W, 5%	07-20101-50	AX/.200X.100/.031
R213	Metal Film Resistor	10K Ω , 1/6W, 5%	07-20103-50	AX/.200X.100/.031
R214	Metal Film Resistor	1K Ω , 1/6W, 5%	07-20102-50	AX/.200X.100/.031
R215	Metal Film Resistor	1K Ω , 1/6W, 5%	07-20102-50	AX/.200X.100/.031
R216	Metal Film Resistor	100 Ω , 1/6W, 5%	07-20101-50	AX/.200X.100/.031
R217	Metal Film Resistor	1K Ω , 1/6W, 5%	07-20102-50	AX/.200X.100/.031
R218	Metal Film Resistor	100 Ω , 1/6W, 5%	07-20101-50	AX/.200X.100/.031
R219	Metal Film Resistor	22K Ω , 1/6W, 5%	07-20223-50	AX/.200X.100/.031
R220	Metal Film Resistor	22K Ω , 1/6W, 5%	07-20223-50	AX/.200X.100/.031
R221	Metal Film Resistor	1K Ω , 1/6W, 5%	07-20102-50	AX/.200X.100/.031
R222	Metal Film Resistor	15K Ω , 1/4W, 5%	07-20153-51	AX/.400X.100/.031
R223	Metal Film Resistor	1K Ω , 1/6W, 5%	07-20102-50	AX/.200X.100/.031
R224	Metal Film Resistor	4.7K Ω , 1/4W, 5%	07-20472-51	AX/.400X.100/.031
R225	Metal Film Resistor	10K Ω , 1/6W, 5%	07-20103-50	AX/.200X.100/.031
R226	Metal Film Resistor	1K Ω , 1/6W, 5%	07-20102-50	AX/.200X.100/.031
R227	Metal Film Resistor	1K Ω , 1/6W, 5%	07-20102-50	AX/.200X.100/.031
R228	Metal Film Resistor	100 Ω , 1/6W, 5%	07-20101-50	AX/.200X.100/.031

ELECTRICAL PARTS LIST

DESIGNATO	DESCRIPTION	PART TYPE	PART NUMBER	FOOTPRINT
R229	Metal Film Resistor	1K Ω , 1/6W, 5%	07-20102-50	AX/.200X.100/.031
R230	Metal Film Resistor	100 Ω , 1/6W, 5%	07-20101-50	AX/.200X.100/.031
R231	Metal Film Resistor	22K Ω , 1/6W, 5%	07-20223-50	AX/.200X.100/.031
R232	Metal Film Resistor	22K Ω , 1/6W, 5%	07-20223-50	AX/.200X.100/.031
R233	Metal Film Resistor	1K Ω , 1/6W, 5%	07-20102-50	AX/.200X.100/.031
R234	Metal Film Resistor	15K Ω , 1/4W, 5%	07-20153-51	AX/.400X.100/.031
R235	Metal Film Resistor	1K Ω , 1/6W, 5%	07-20102-50	AX/.200X.100/.031
R236	Metal Film Resistor	4.7K Ω , 1/4W, 5%	07-20472-51	AX/.400X.100/.031
R237	Metal Film Resistor	10K Ω , 1/6W, 5%	07-20103-50	AX/.200X.100/.031
R238	Metal Film Resistor	1K Ω , 1/6W, 5%	07-20102-50	AX/.200X.100/.031
R239	Metal Film Resistor	1K Ω , 1/6W, 5%	07-20102-50	AX/.200X.100/.031
R240	Metal Film Resistor	100 Ω , 1/6W, 5%	07-20101-50	AX/.200X.100/.031
R241	Metal Film Resistor	1K Ω , 1/6W, 5%	07-20102-50	AX/.200X.100/.031
R242	Metal Film Resistor	100 Ω , 1/6W, 5%	07-20101-50	AX/.200X.100/.031
R243	Metal Film Resistor	22K Ω , 1/6W, 5%	07-20223-50	AX/.200X.100/.031
R244	Metal Film Resistor	22K Ω , 1/6W, 5%	07-20223-50	AX/.200X.100/.031
R245	Metal Film Resistor	1K Ω , 1/6W, 5%	07-20102-50	AX/.200X.100/.031
R246	Metal Film Resistor	15K Ω , 1/4W, 5%	07-20153-51	AX/.400X.100/.031
R247	Metal Film Resistor	1K Ω , 1/6W, 5%	07-20102-50	AX/.200X.100/.031
R248	Metal Film Resistor	4.7K Ω , 1/4W, 5%	07-20472-51	AX/.400X.100/.031
R249	Metal Film Resistor	10K Ω , 1/6W, 5%	07-20103-50	AX/.200X.100/.031
R250	Metal Film Resistor	1K Ω , 1/6W, 5%	07-20102-50	AX/.200X.100/.031
R251	Metal Film Resistor	1K Ω , 1/6W, 5%	07-20102-50	AX/.200X.100/.031
R252	Metal Film Resistor	100 Ω , 1/6W, 5%	07-20101-50	AX/.200X.100/.031
R253	Metal Film Resistor	1K Ω , 1/6W, 5%	07-20102-50	AX/.200X.100/.031
R254	Metal Film Resistor	100 Ω , 1/6W, 5%	07-20101-50	AX/.200X.100/.031
R255	Metal Film Resistor	22K Ω , 1/6W, 5%	07-20223-50	AX/.200X.100/.031
R256	Metal Film Resistor	22K Ω , 1/6W, 5%	07-20223-50	AX/.200X.100/.031
R257	Metal Film Resistor	1K Ω , 1/6W, 5%	07-20102-50	AX/.200X.100/.031
R258	Metal Film Resistor	15K Ω , 1/4W, 5%	07-20153-51	AX/.400X.100/.031
R259	Metal Film Resistor	1K Ω , 1/6W, 5%	07-20102-50	AX/.200X.100/.031
R260	Metal Film Resistor	4.7K Ω , 1/4W, 5%	07-20472-51	AX/.400X.100/.031
R265	Metal Film Resistor	1K Ω , 1/6W, 5%	07-20102-50	AX/.200X.100/.031
R266	Metal Film Resistor	100K Ω , 1/6W, 5%	07-20104-50	AX/.200X.080/.031
R267	Metal Film Resistor	470 Ω , 1/6W, 5%	07-20471-50	AX/.200X.080/.031
CAPACITOR				
C201	Polyester capacitor	10nF, 10%, 250V	25-10322-01	RAD/CAP/.300X.150/LS.200/.031
C202	Polyester capacitor	10nF, 10%, 250V	25-10322-01	RAD/CAP/.300X.150/LS.200/.031
C203	ALU Electrolytic Capacitor	10uF/100V, 20%, 105 $^{\circ}$ C	06-10012-01	CPCYL1/D.200/LS.200/.031
C204	ALU Electrolytic Capacitor	10uF/100V, 20%, 105 $^{\circ}$ C	06-10012-01	CPCYL1/D.200/LS.200/.031
C205	ALU Electrolytic Capacitor	10uF/100V, 20%, 105 $^{\circ}$ C	06-10012-01	CPCYL1/D.200/LS.200/.031
C206	Polyester capacitor	100nF, 10%, 100V	25-10412-02	RAD/.300X.150/LS.200/.037
C207	Polyester capacitor	100nF, 10%, 100V	25-10412-02	RAD/.300X.150/LS.200/.037
C208	ALU Electrolytic Capacitor	6800uF/80V, 105 $^{\circ}$ C	06-68281-00	CPCYL1/D1.420/LS.880/.079
C209	ALU Electrolytic Capacitor	6800uF/80V, 105 $^{\circ}$ C	06-68281-00	CPCYL1/D1.420/LS.880/.079
C210	Polyester capacitor	100nF, 10%, 100V	25-10412-02	RAD/.300X.150/LS.200/.037
C211	ALU Electrolytic Capacitor	6800uF/80V, 105 $^{\circ}$ C	06-68281-00	CPCYL1/D1.420/LS.880/.079
C212	Polyester capacitor	100nF, 10%, 100V	25-10412-02	RAD/.300X.150/LS.200/.037
C213	ALU Electrolytic Capacitor	6800uF/80V, 105 $^{\circ}$ C	06-68281-00	CPCYL1/D1.420/LS.880/.079
C214	Polyester capacitor	10nF, 10%, 250V	25-10322-01	RAD/CAP/.300X.150/LS.200/.031
C215	Polyester capacitor	10nF, 10%, 250V	25-10322-01	RAD/CAP/.300X.150/LS.200/.031

ELECTRICAL PARTS LIST

DESIGNATO	DESCRIPTION	PART TYPE	PART NUMBER	FOOTPRINT
C216	ALU Electrolytic Capacitor	10uF/100V, 20%, 105°C	06-10012-01	CPCYL1/D.200/LS.200/.031
C217	ALU Electrolytic Capacitor	10uF/100V, 20%, 105°C	06-10012-01	CPCYL1/D.200/LS.200/.031
C218	ALU Electrolytic Capacitor	10uF/100V, 20%, 105°C	06-10012-01	CPCYL1/D.200/LS.200/.031
C219	Polyester capacitor	100nF, 10%, 100V	25-10412-02	RAD/.300X.150/LS.200/.037
C220	ALU Electrolytic Capacitor	6800uF/80V, 105°C	06-68281-00	CPCYL1/D1.420/LS.880/.079
C221	Polyester capacitor	100nF, 10%, 100V	25-10412-02	RAD/.300X.150/LS.200/.037
C222	ALU Electrolytic Capacitor	6800uF/80V, 105°C	06-68281-00	CPCYL1/D1.420/LS.880/.079
C223	Polyester capacitor	10nF, 10%, 250V	25-10322-01	RAD/CAP/.300X.150/LS.200/.031
C224	Polyester capacitor	10nF, 10%, 250V	25-10322-01	RAD/CAP/.300X.150/LS.200/.031
C225	ALU Electrolytic Capacitor	10uF/100V, 20%, 105°C	06-10012-01	CPCYL1/D.200/LS.200/.031
C226	ALU Electrolytic Capacitor	10uF/100V, 20%, 105°C	06-10012-01	CPCYL1/D.200/LS.200/.031
C227	ALU Electrolytic Capacitor	10uF/100V, 20%, 105°C	06-10012-01	CPCYL1/D.200/LS.200/.031
C228	Polyester capacitor	100nF, 10%, 100V	25-10412-02	RAD/.300X.150/LS.200/.037
C229	ALU Electrolytic Capacitor	6800uF/80V, 105°C	06-68281-00	CPCYL1/D1.420/LS.880/.079
C230	Polyester capacitor	100nF, 10%, 100V	25-10412-02	RAD/.300X.150/LS.200/.037
C231	ALU Electrolytic Capacitor	6800uF/80V, 105°C	06-68281-00	CPCYL1/D1.420/LS.880/.079
C232	Polyester capacitor	10nF, 10%, 250V	25-10322-01	RAD/CAP/.300X.150/LS.200/.031
C233	Polyester capacitor	10nF, 10%, 250V	25-10322-01	RAD/CAP/.300X.150/LS.200/.031
C234	ALU Electrolytic Capacitor	10uF/100V, 20%, 105°C	06-10012-01	CPCYL1/D.200/LS.200/.031
C235	ALU Electrolytic Capacitor	10uF/100V, 20%, 105°C	06-10012-01	CPCYL1/D.200/LS.200/.031
C236	ALU Electrolytic Capacitor	10uF/100V, 20%, 105°C	06-10012-01	CPCYL1/D.200/LS.200/.031
C237	Polyester capacitor	100nF, 10%, 100V	25-10412-02	RAD/.300X.150/LS.200/.037
C238	ALU Electrolytic Capacitor	6800uF/80V, 105°C	06-68281-00	CPCYL1/D1.420/LS.880/.079
C239	Polyester capacitor	100nF, 10%, 100V	25-10412-02	RAD/.300X.150/LS.200/.037
C240	ALU Electrolytic Capacitor	6800uF/80V, 105°C	06-68281-00	CPCYL1/D1.420/LS.880/.079
C241	Polyester capacitor	10nF, 10%, 250V	25-10322-01	RAD/CAP/.300X.150/LS.200/.031
C242	Polyester capacitor	10nF, 10%, 250V	25-10322-01	RAD/CAP/.300X.150/LS.200/.031
C243	ALU Electrolytic Capacitor	10uF/100V, 20%, 105°C	06-10012-01	CPCYL1/D.200/LS.200/.031
C244	ALU Electrolytic Capacitor	10uF/100V, 20%, 105°C	06-10012-01	CPCYL1/D.200/LS.200/.031
C245	ALU Electrolytic Capacitor	10uF/100V, 20%, 105°C	06-10012-01	CPCYL1/D.200/LS.200/.031
C246	Polyester capacitor	10nF, 10%, 250V	25-10322-01	RAD/CAP/.300X.150/LS.200/.031
C247	ALU Electrolytic Capacitor	10uF/100V, 20%, 105°C	06-10012-01	CPCYL1/D.200/LS.200/.031
C248	Polyester capacitor	100nF, 10%, 100V	25-10412-02	RAD/.300X.150/LS.200/.037
C249	Polyester capacitor	100nF, 10%, 100V	25-10412-02	RAD/.300X.150/LS.200/.037
C250	ALU Electrolytic Capacitor	2200uF/25V, 20%, 105°C	06-22221-04	CPCYL1/D.900/LS.350/.062
CONNECTOR				
P201B	HOUSING	5PIN3.96-C	13-23905-30	BLKCON.156/VH/TM1SQS/W.355/5
P202B	CONNECTOR	MOLEX 2145/3215 TOP ENTRY/9PIN	13-25009-00	BLKCON.156/MOLEX2145/3215/TOP ENTRY/9

ELECTRICAL PARTS LIST

DESIGNATO	DESCRIPTION	PART TYPE	PART NUMBER	FOOTPRINT
P203B	HOUSING	5PIN3.96-C	13-23905-30	BLKCON.156/VH/TM1SQS/W.355/5
P204B	CONNECTOR	MOLEX 2145/3215 TOP ENTRY/9PIN	13-25009-00	BLKCON.156/MOLEX2145/3215/TOP ENTRY/9
P205B	HOUSING	5PIN3.96-C	13-23905-30	BLKCON.156/VH/TM1SQS/W.355/5
P206B	CONNECTOR	MOLEX 2145/3215 TOP ENTRY/9PIN	13-25009-00	BLKCON.156/MOLEX2145/3215/TOP ENTRY/9
P207B	HOUSING	5PIN3.96-C	13-23905-30	BLKCON.156/VH/TM1SQS/W.355/5
P208B	CONNECTOR	MOLEX 2145/3215 TOP ENTRY/9PIN	13-25009-00	BLKCON.156/MOLEX2145/3215/TOP ENTRY/9
P209B	HOUSING	5PIN3.96-C	13-23905-30	BLKCON.156/VH/TM1SQS/W.355/5
P210B	CONNECTOR	MOLEX 2145/3215 TOP ENTRY/9PIN	13-25009-00	BLKCON.156/MOLEX2145/3215/TOP ENTRY/9
P211B	HOUSING	9PIN2.54-C	13-22509-00	BLKCON.100/VH/TM1SQS/W.300/9
P212A	Connector Ribbon	5P2.54-A150B 1569-26AWG	14-95505-00	BLKCON.100/VH/TM1SQ/W.200/5
P213B	HOUSING	4PIN2.54-C	13-22504-00	BLKCON.100/VH/TM1SQS/W.300/4
FUSE				
F201	FUSE	T6.3AL/250V	20-12632-00	T6.3AL/250V
F202	FUSE	T6.3AL/250V	20-12632-00	T6.3AL/250V
F203	FUSE	T6.3AL/250V	20-12632-00	T6.3AL/250V
F204	FUSE	T6.3AL/250V	20-12632-00	T6.3AL/250V
F205	FUSE	T6.3AL/250V	20-12632-00	T6.3AL/250V
F206	FUSE	T6.3AL/250V	20-12632-00	T6.3AL/250V
F207	FUSE	T6.3AL/250V	20-12632-00	T6.3AL/250V
F208	FUSE	T6.3AL/250V	20-12632-00	T6.3AL/250V
F209	FUSE	T6.3AL/250V	20-12632-00	T6.3AL/250V
F210	FUSE	T6.3AL/250V	20-12632-00	T6.3AL/250V
F211	FUSE	T6.3AL/250V	20-12632-00	T6.3AL/250V
F212	FUSE	T6.3AL/250V	20-12632-00	T6.3AL/250V
F213	FUSE	T6.3AL/250V	20-12632-00	T6.3AL/250V
F214	FUSE	T6.3AL/250V	20-12632-00	T6.3AL/250V
F215	FUSE	T6.3AL/250V	20-12632-00	T6.3AL/250V
F216	FUSE	T6.3AL/250V	20-12632-00	T6.3AL/250V
F217	FUSE	T6.3AL/250V	20-12632-00	T6.3AL/250V
F218	FUSE	T6.3AL/250V	20-12632-00	T6.3AL/250V
F219	FUSE	T6.3AL/250V	20-12632-00	T6.3AL/250V
F220	FUSE	T6.3AL/250V	20-12632-00	T6.3AL/250V
FUSE HOLDER				
F201	FUSE HOLDER	CQ-200C	20-20000-06	RAD/.1000X.400/LS.850/.066
F202	FUSE HOLDER	CQ-200C	20-20000-06	RAD/.1000X.400/LS.850/.066
F203	FUSE HOLDER	CQ-200C	20-20000-06	RAD/.1000X.400/LS.850/.066
F204	FUSE HOLDER	CQ-200C	20-20000-06	RAD/.1000X.400/LS.850/.066
F205	FUSE HOLDER	CQ-200C	20-20000-06	RAD/.1000X.400/LS.850/.066
F206	FUSE HOLDER	CQ-200C	20-20000-06	RAD/.1000X.400/LS.850/.066
F207	FUSE HOLDER	CQ-200C	20-20000-06	RAD/.1000X.400/LS.850/.066
F208	FUSE HOLDER	CQ-200C	20-20000-06	RAD/.1000X.400/LS.850/.066
F209	FUSE HOLDER	CQ-200C	20-20000-06	RAD/.1000X.400/LS.850/.066
F210	FUSE HOLDER	CQ-200C	20-20000-06	RAD/.1000X.400/LS.850/.066
F211	FUSE HOLDER	CQ-200C	20-20000-06	RAD/.1000X.400/LS.850/.066
F212	FUSE HOLDER	CQ-200C	20-20000-06	RAD/.1000X.400/LS.850/.066
F213	FUSE HOLDER	CQ-200C	20-20000-06	RAD/.1000X.400/LS.850/.066
F214	FUSE HOLDER	CQ-200C	20-20000-06	RAD/.1000X.400/LS.850/.066
F215	FUSE HOLDER	CQ-200C	20-20000-06	RAD/.1000X.400/LS.850/.066
F216	FUSE HOLDER	CQ-200C	20-20000-06	RAD/.1000X.400/LS.850/.066
F217	FUSE HOLDER	CQ-200C	20-20000-06	RAD/.1000X.400/LS.850/.066
F218	FUSE HOLDER	CQ-200C	20-20000-06	RAD/.1000X.400/LS.850/.066
F219	FUSE HOLDER	CQ-200C	20-20000-06	RAD/.1000X.400/LS.850/.066
F220	FUSE HOLDER	CQ-200C	20-20000-06	RAD/.1000X.400/LS.850/.066
JUMPER				

ELECTRICAL PARTS LIST

DESIGNATO	DESCRIPTION	PART TYPE	PART NUMBER	FOOTPRINT
W201	JUMPER	10mm	21-06000-00	10mm
W202	JUMPER	15mm	21-06000-00	15mm
BUS201	BUSBAR		69-010001-0	
P/N 01-95503-00 PCB3 BOARD (DISPLAY)				
DIODE				
D301	LED	BL-BUBB4274 A	33-50565-00	LED/ANODE/D.200/LS.200/.039
D301	LED	BL-BUBB4274 B	33-50565-10	LED/ANODE/D.200/LS.200/.039
D301	LED	BL-BUBB4274 C	33-50565-20	LED/ANODE/D.200/LS.200/.039
D302	LED	BL-BUBB4274 A	33-50565-00	LED/ANODE/D.200/LS.200/.039
D302	LED	BL-BUBB4274 B	33-50565-10	LED/ANODE/D.200/LS.200/.039
D302	LED	BL-BUBB4274 C	33-50565-20	LED/ANODE/D.200/LS.200/.039
D303	LED	BL-BUBB4274 A	33-50565-00	LED/ANODE/D.200/LS.200/.039
D303	LED	BL-BUBB4274 B	33-50565-10	LED/ANODE/D.200/LS.200/.039
D303	LED	BL-BUBB4274 C	33-50565-20	LED/ANODE/D.200/LS.200/.039
D304	LED	BL-BUBB4274 A	33-50565-00	LED/ANODE/D.200/LS.200/.039
D304	LED	BL-BUBB4274 B	33-50565-10	LED/ANODE/D.200/LS.200/.039
D304	LED	BL-BUBB4274 C	33-50565-20	LED/ANODE/D.200/LS.200/.039
D305	LED	BL-BUBB4274 A	33-50565-00	LED/ANODE/D.200/LS.200/.039
D305	LED	BL-BUBB4274 B	33-50565-10	LED/ANODE/D.200/LS.200/.039
D305	LED	BL-BUBB4274 C	33-50565-20	LED/ANODE/D.200/LS.200/.039
D306	LED	BL-BUBB4274 A	33-50565-00	LED/ANODE/D.200/LS.200/.039
D306	LED	BL-BUBB4274 B	33-50565-10	LED/ANODE/D.200/LS.200/.039
D306	LED	BL-BUBB4274 C	33-50565-20	LED/ANODE/D.200/LS.200/.039
D308	Switch Diode	1N4148	33-44148-00	DAX/.300X.080/.031
TRANSISTOR				
Q301	Transistor	2SC1815-GR	31-01815-00	TO92/100/ECB
Q302	Transistor	KRC102M-AT/P	31-00102-00	TO92/100/GOI
Q302	Transistor	DTC114ESA	31-00114-00	TO92/100/GOI
Q303	Transistor	2SA1015-GR	31-01015-00	TO92/100/ECB
Q304	Transistor	KRC102M-AT/P	31-00102-00	TO92/100/GOI
Q304	Transistor	DTC114ESA	31-00114-00	TO92/100/GOI
Q305	Transistor	2SA1015-GR	31-01015-00	TO92/100/ECB
Q306	Transistor	KRC102M-AT/P	31-00102-00	TO92/100/GOI
Q306	Transistor	DTC114ESA	31-00114-00	TO92/100/GOI
Q307	Transistor	2SA1015-GR	31-01015-00	TO92/100/ECB
Q308	Transistor	KRC102M-AT/P	31-00102-00	TO92/100/GOI
Q308	Transistor	DTC114ESA	31-00114-00	TO92/100/GOI
Q309	Transistor	2SA1015-GR	31-01015-00	TO92/100/ECB
Q310	Transistor	KRC102M-AT/P	31-00102-00	TO92/100/GOI
Q310	Transistor	DTC114ESA	31-00114-00	TO92/100/GOI
Q311	Transistor	2SA1015-GR	31-01015-00	TO92/100/ECB
Q312	Transistor	KRC102M-AT/P	31-00102-00	TO92/100/GOI
Q312	Transistor	DTC114ESA	31-00114-00	TO92/100/GOI
Q313	Transistor	2SC1815-GR	31-01815-00	TO92/100/ECB
Q314	Transistor	2N4401	31-04401-00	TO92/100/EBC
Q315	Transistor	2N4403	31-04403-00	TO92/100/EBC
Q316	Transistor	KRC102M-AT/P	31-00102-00	TO92/100/GOI
Q316	Transistor	DTC114ESA	31-00114-00	TO92/100/GOI
RESISTOR				
R301	Metal Film Resistor	10KΩ, 1/6W, 5%	07-20103-50	AX/.200X.100/.031
R302	Metal Film Resistor	150Ω, 1/6W, 5%	07-20151-50	AX/.200X.100/.031
R303	Metal Film Resistor	1KΩ, 1/6W, 5%	07-20102-50	AX/.200X.100/.031
R304	Metal Film Resistor	150Ω, 1/6W, 5%	07-20151-50	AX/.200X.100/.031
R305	Metal Film Resistor	150Ω, 1/6W, 5%	07-20151-50	AX/.200X.100/.031
R306	Metal Film Resistor	1KΩ, 1/6W, 5%	07-20102-50	AX/.200X.100/.031
R307	Metal Film Resistor	150Ω, 1/6W, 5%	07-20151-50	AX/.200X.100/.031
R308	Metal Film Resistor	150Ω, 1/6W, 5%	07-20151-50	AX/.200X.100/.031
R309	Metal Film Resistor	1KΩ, 1/6W, 5%	07-20102-50	AX/.200X.100/.031

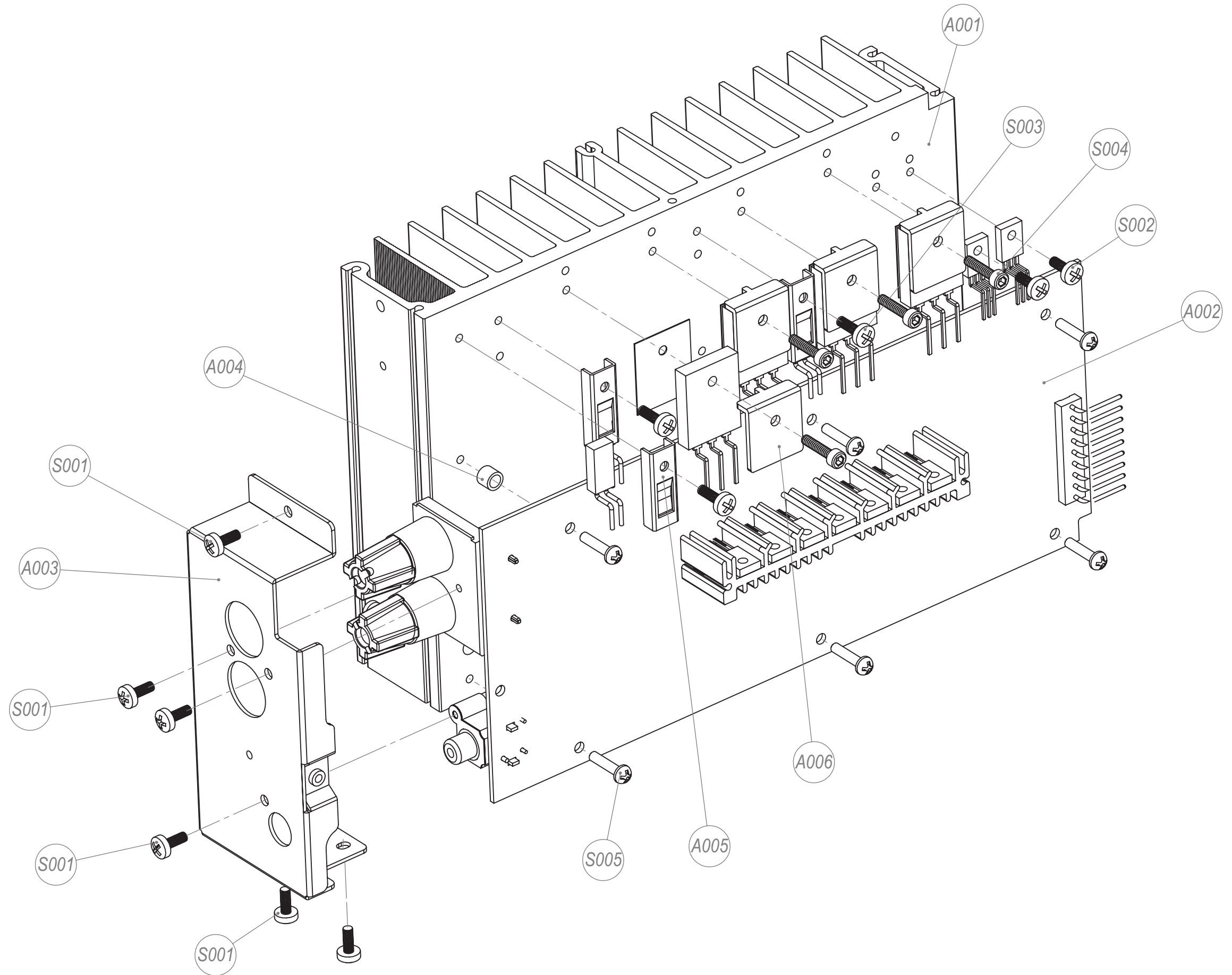
ELECTRICAL PARTS LIST

DESIGNATO	DESCRIPTION	PART TYPE	PART NUMBER	FOOTPRINT
R310	Metal Film Resistor	150Ω, 1/6W, 5%	07-20151-50	AX/.200X.100/.031
R311	Metal Film Resistor	150Ω, 1/6W, 5%	07-20151-50	AX/.200X.100/.031
R312	Metal Film Resistor	1KΩ, 1/6W, 5%	07-20102-50	AX/.200X.100/.031
R313	Metal Film Resistor	150Ω, 1/6W, 5%	07-20151-50	AX/.200X.100/.031
R314	Metal Film Resistor	150Ω, 1/6W, 5%	07-20151-50	AX/.200X.100/.031
R315	Metal Film Resistor	1KΩ, 1/6W, 5%	07-20102-50	AX/.200X.100/.031
R316	Metal Film Resistor	150Ω, 1/6W, 5%	07-20151-50	AX/.200X.100/.031
R317	Metal Film Resistor	150Ω, 1/6W, 5%	07-20151-50	AX/.200X.100/.031
R318	Metal Film Resistor	1KΩ, 1/6W, 5%	07-20102-50	AX/.200X.100/.031
R319	Metal Film Resistor	1KΩ, 1/6W, 5%	07-20102-50	AX/.200X.100/.031
R321	Metal Film Resistor	2.2KΩ, 1/6W, 5%	07-20222-50	AX/.200X.100/.031
R322	Metal Film Resistor	2.2KΩ, 1/6W, 5%	07-20222-50	AX/.200X.100/.031
R323	Metal Film Resistor	1KΩ, 1/6W, 5%	07-20102-50	AX/.200X.100/.031
R324	Metal Film Resistor	1KΩ, 1/6W, 5%	07-20102-50	AX/.200X.100/.031
R325	Metal Film Resistor	1KΩ, 1/6W, 5%	07-20102-50	AX/.200X.100/.031
R326	Metal Film Resistor	1KΩ, 1/6W, 5%	07-20102-50	AX/.200X.100/.031
R327	Metal Film Resistor	1KΩ, 1/6W, 5%	07-20102-50	AX/.200X.100/.031
R328	Metal Film Resistor	1KΩ, 1/6W, 5%	07-20102-50	AX/.200X.100/.031
CAPACITOR				
C301	ALU Electrolytic Capacitor	100uF/16V, 20%, 105°C	06-10111-07	CPCYL1/D.200/LS.200/.031
C302	ALU Electrolytic Capacitor	33uF/16V, 20%, 85°C	06-33011-00	CPCYL1/D.200/LS.200/.031
C303	ALU Electrolytic Capacitor	33uF/16V, 20%, 85°C	06-33011-00	CPCYL1/D.200/LS.200/.031
C304	ALU Electrolytic Capacitor	33uF/16V, 20%, 85°C	06-33011-00	CPCYL1/D.200/LS.200/.031
JUMPER				
W301	JUMPER	5mm	21-06000-00	5mm
W302	JUMPER	5mm	21-06000-00	5mm
W303	JUMPER	5mm	21-06000-00	5mm
CONNECTOR				
P301A	Connector Ribbon	3P2.54-A130B	14-95503-00	BLKCON.100/VH/TM1SQS/W.300/3
P302A	Connector Ribbon	9PIN2.54-A240B, 26AWG	14-95509-00	BLKCON.100/VH/TM1SQS/W.200/9
P/N 01-95504-00 PCB4 BOARD (TRIGGER)				
CONNECTOR				
P401A	CONNECTOR	4PIN2.54-A300B	14-95504-00	
SWITCH				
S401	SWITCH	SSAA120200	11-05202-09	SLIDESWITCHES/SSSU121700
S402	SWITCH	SSAA120200	11-05202-09	SLIDESWITCHES/SSSU121700
J401	12V TRIG IN	PY301-030-100	17-07001-00	
AH P/N : 01-95505-10 C P/N : 01-95505-20 PCB5 BOARD (STANDBY)				
DIODE				
D501	Switch Diode	1N4148	33-44148-00	DAX/.300X.080/.031
CAPACITOR				
C501	Interference Suppression Capacitor	0.22uF, 275V, ±10%	25-22422-03	RAD/.700X.300/LS.600/.039
RELAY				
RL501	RELAY	832A-1A-C-BH DC5V	12-03101-02	RELAY_2
CONNECTOR				
P501B	JACK	PCFS250L	32-26304-10	
P502B	JACK	HS4-CI9120-B009V1-M032	32-26304-00	
P504B	HOUSING	5PIN2.54-C	13-22505-00	BLKCON.100/VH/TM1SQB/W.200/5
P505B	HOUSING	2PIN3.96-C	13-23902-00	BLKCON.156/VH/TM1SQB/W.355/2
P506B	HOUSING	4PIN7.5C	13-27504-00	BLKCON.295/VH/TM1SQ/W.200/4

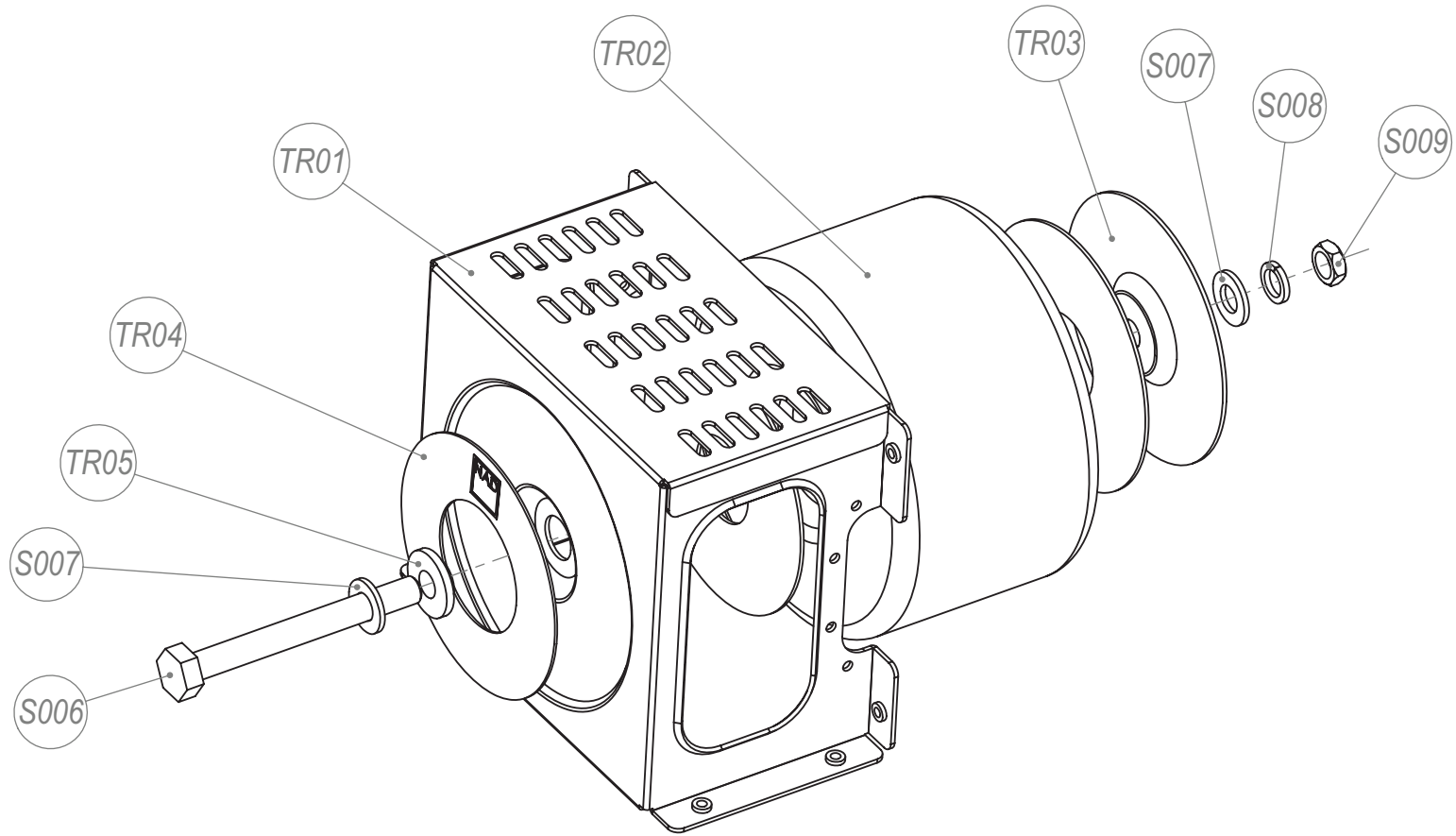
ELECTRICAL PARTS LIST

DESIGNATO	DESCRIPTION	PART TYPE	PART NUMBER	FOOTPRINT
P3	Connector Ribbon	L=95mm	14-95501-03	
P4	Connector Ribbon	L=95mm	14-95501-03	
JUMPER				
W501	JUMPER	10mm	21-06000-00	10mm
W502	JUMPER	15mm	21-06000-00	15mm
W503	JUMPER	7.5mm	21-10750-00	7.5mm
W504	JUMPER	10mm	21-10101-00	10mm
W505	JUMPER	7.5mm	21-10750-00	7.5mm
TRANSFORMER				
TR501	STANDBY TRANSFORMER	TD050-E103P	18-95505-00	
P/N 01-95506-00 PCB6 BOARD (POWER SWITCH)				
SWITCH				
S901	SWITCH	8212	11-01101-05	
S901	SWITCH	SDFFA1117U	11-01101-00	
P/N 01-95507-00 PCB7 BOARD (POWER LED)				
DIODE				
D701	LED	BL-BJLB5204(BLUE/AMBER)	33-50563-00	DUALLED/CATHODE/D.200/LS.200/.039
CONNECTOR				
P701B	HOUSING	XHB 2.5A-3AW	13-22503-08	BLKCON.100/VH/TM1SQ/W.200/3
Assembly Parts				
FUSE				
	FUSE	T15AL/250V (AH)	20-12153-10	
	FUSE	T7AL/250V (C)	20-12702-20	
FUSE HOLDER				
	FUSE HOLDER	HTB-32I	20-20000-03	
AC INLET				
	AC Inlets	R-301(00)	17-07003-01	
TRANSFORMER				
	TRANSFORMER		18-95515-00	
CONNECTOR				
	Connector Ribbon	One terminal:KST FDFD2-187(8), another terminal: KST FDFD2-250, wire:16AWG,double-insulated,white,300V, 105C 1672#, L=480mm	14-95501-00	
	Connector Ribbon	One terminal:KST FDFD2-187(5), another terminal: KST MDFN2-250, wire:16AWG,double-insulated,blue,300V, 105C 1672#, L=480mm	14-95501-01	
	Connector Ribbon	One termina:KST FDFD2-187(8), another terminal: KST FDFD2-187(5), wire:16AWG,double-insulated,blue,300V, 105C 1672#, L=80mm	14-12501-02	
	Connector Ribbon	One termina:KST FDFD2-187(8), another terminal: KST RNBL2-4, wire:16AWG Yellow&Green 300V, 105C , L=80mm	14-86001-03	

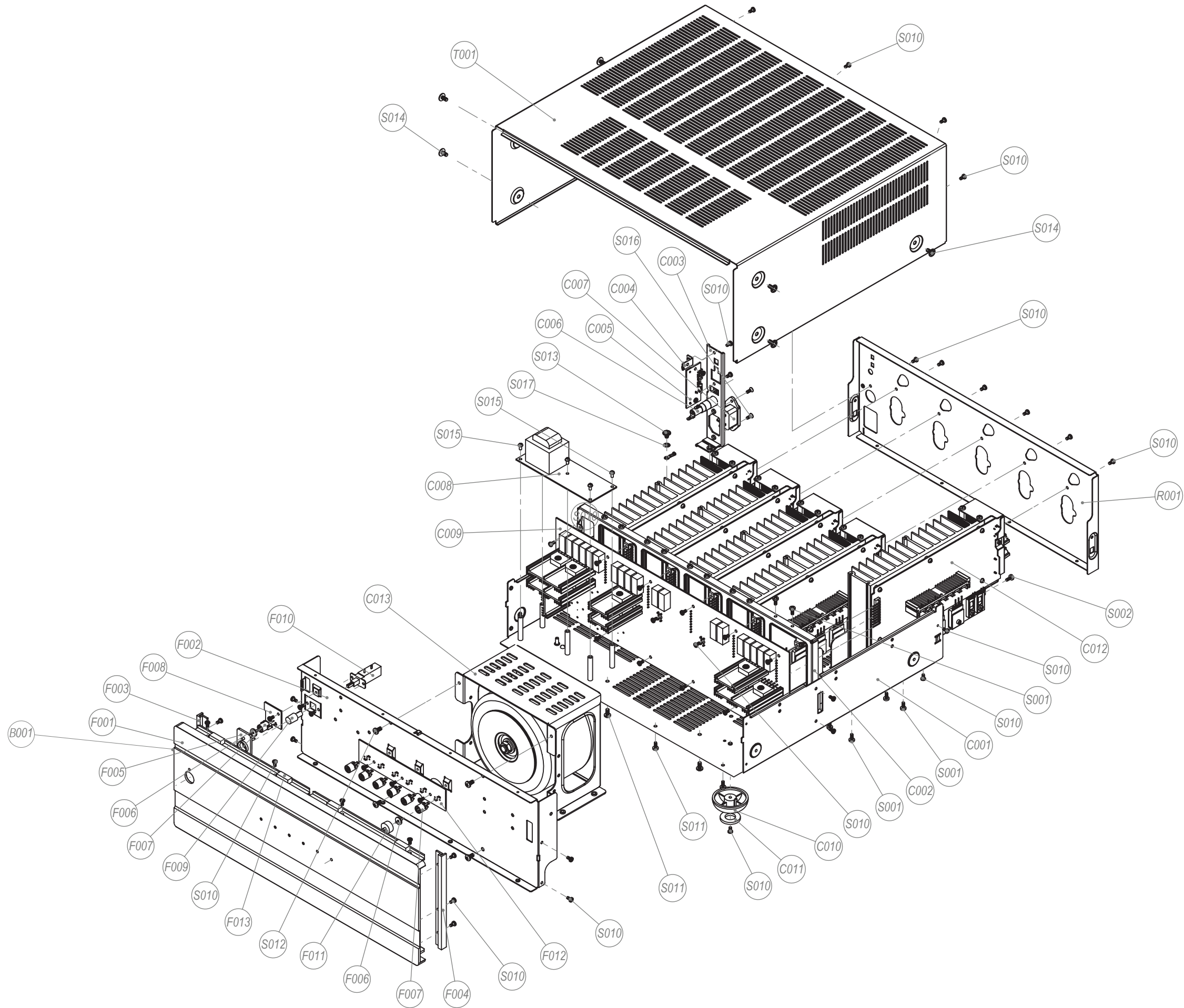
EXPLODED VIEW



EXPLODED VIEW



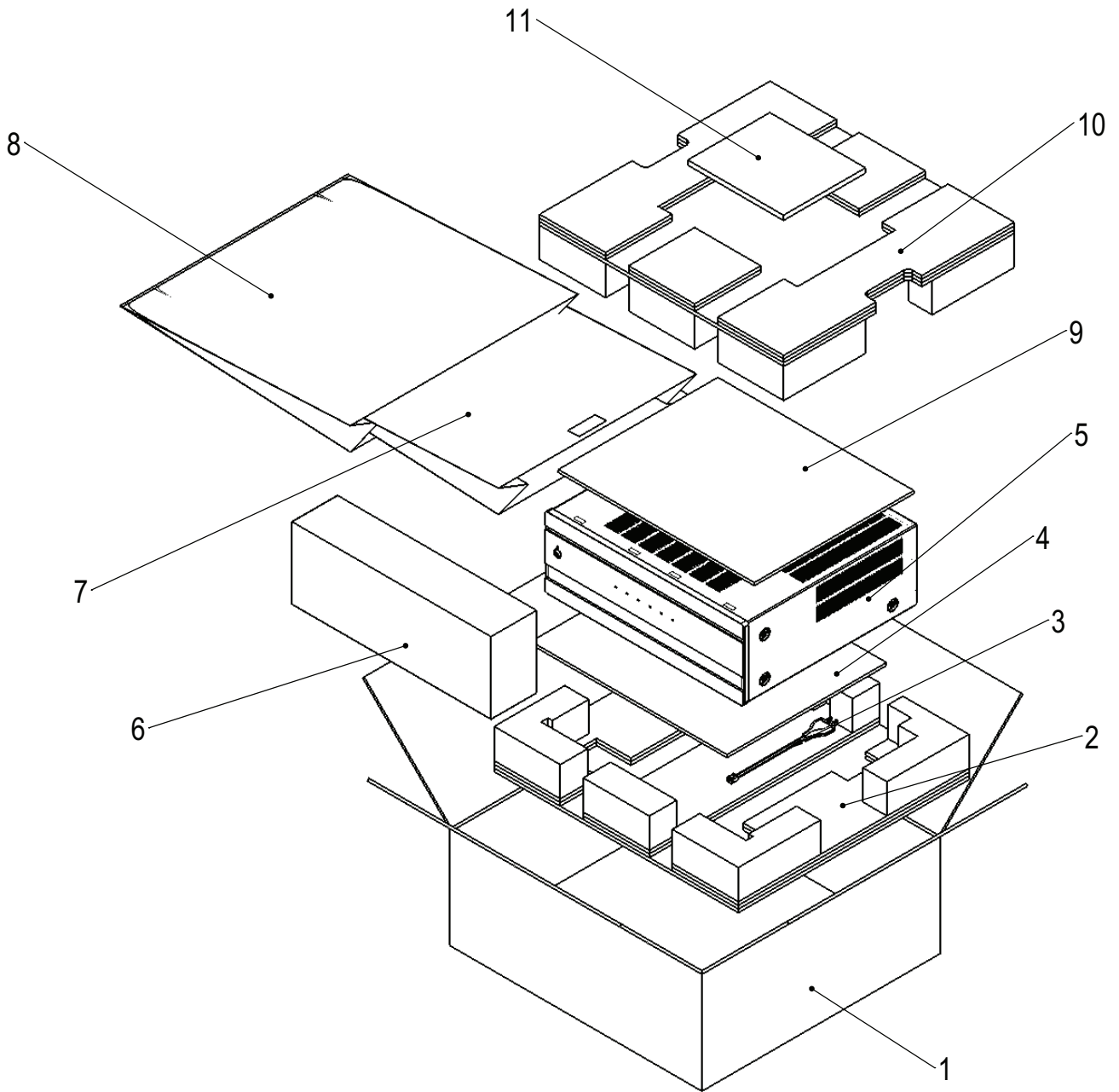
EXPLODED VIEW



EXPLODED VIEW PARTS LIST

REF.NO	PART NO.	DESCRIPTION	Qty.	REF.NO	PART NO.	DESCRIPTION	Qty.
A001	70-062005-1	Main Heatsink	5	F005	77-062002-0	Power Button Bezel	1
A002	01-95501-10	AMP MODULE PCB no outputs (AH)	5	F006	76-062001-0	Led Lens	7
	01-95501-20	AMP MODULE PCB no outputs (C)	5	F007	75-062001-0	Sleeve	7
A003	67-062002-0	Terminal Bracket	5	F008	01-95507-00	Power Led Board	1
A004	85-010001-0	Space Support	30	F009	77-009003-1	Power Button	1
A005	66-018005-0	Tem.Sw Clamp	15	F010	11-01101-05	Switch	1
A006	66-005009-0	TR CLAMPER	20	F011	77-062001-0	Led Lens Bezel	6
				F012	01-95503-00	Display Board	1
TR01	67-062005-0	Transformer Bracket	1	F013	79-062001-0	Rubber Pad	4
TR02	18-95515-00	Transformer(TOROID)	1				
TR03	66-005007-0	Metal Disc	1				
TR04	94-010001-1	Transformer lable	1	R001	67-062001-0	Rear Panel(C)	1
TR05	75-010003-0	Insalation Cell	1		67-062011-0	Rear Panel(AH)	1
C001	66-062001-0	Chassis	1				
C002	66-062003-0	Power Board Bracket	1	T001	67-062003-0	Top Cover	1
C003	67-062004-0	AC Inlet Bracke	1				
C004	66-010010-0	BRACKET 6	2	S001	61-023208-0	Self Taping Screw	60
C005	01-95504-00	Trigger Board	1	S002	61-023506-1	Self Taping Screw	15
C006	20-20000-03	Fuse Holder	1	S003	61-023110-0	Self Taping Screw	15
C007	17-07003-01	AC Inlet	1	S004	61-223514-0	Machine Screw	20
C008	01-95505-20	Standby Board(C)	1	S005	61-023215-0	Self Taping Screw	30
	01-95505-10	Standby Board(AH)	1	S006	64-110095-0	Bolt	1
C009	01-95502-00	Power Supply Board	1	S007	63-011020-0	Washer	2
C010	75-010004-1	Foot	4	S008	63-021030-1	Spring Washer	1
C011	79-008001-0	Foot pad	4	S009	62-011002-0	Nut	1
C012	01-95510-20	Amplifer Module(C)	5	S010	61-023106-0	Self Taping Screw	68
	01-95510-10	Amplifer Module(AH)	5	S011	61-023108-5	Self Taping Screw	4
C013	01-95599-00	Main Transformer Assemblage	1	S012	61-024108-0	Self Taping Screw	7
B001	02-95599-00	Complete Graphite Fascia Assy	1	S013	61-084106-0	Self Taping Screw	1
F001	70-062001-0	Fascia Old Grey	1	S014	61-084108-0	Self Taping Screw	6
F002	66-062002-0	Subfascia	1	S015	61-023506-0	Machine Screw	5
F003	70-062002-0	End Cap (L)	1	S016	61-063108-0	Self Taping Screw	2
F004	70-062003-0	End Cap (R)	1	S017	63-030410-0	Serrated Lock washer	1

T955 PACKING DIAGRAM



REF.NO	PART NO.	DESCRIPTION	Qty
1	88-062001-1	carton box	1
2	88-062002-0	Bottom Polyfoam	1
3	15-10230-20	AC Cord	1
4	90-062004-0	EPE PAD	1
5	00-95500-20	T955 Unit	1
6	90-062002-0	Non-woven Cloth	1
7	90-062003-0	EPE Bag	1
8	90-062001-0	Polyfbag	1
9	90-062004-0	EPE PAD	1
10	89-062003-0	Top Polyfoam	1
11	S30-49550-00	Instruction Manual	1